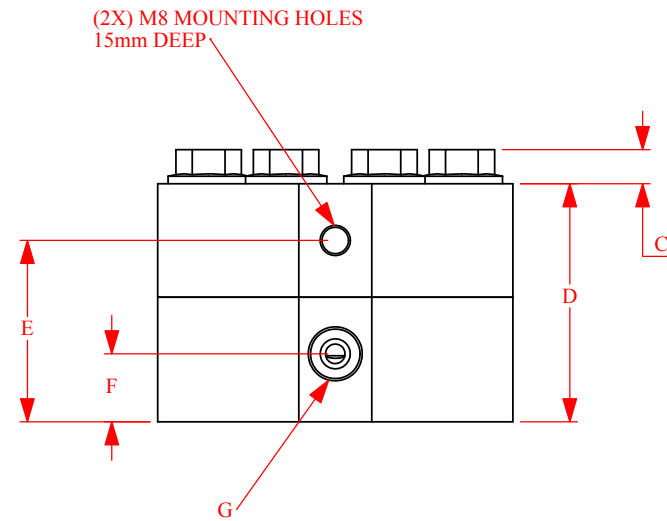
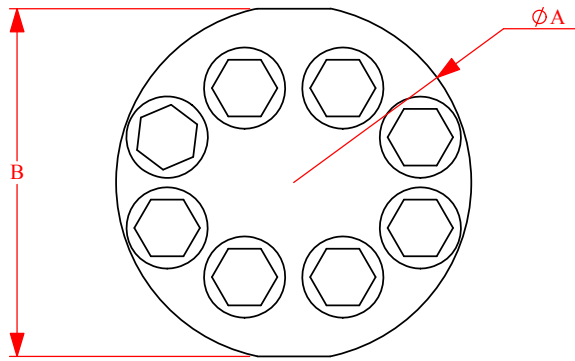
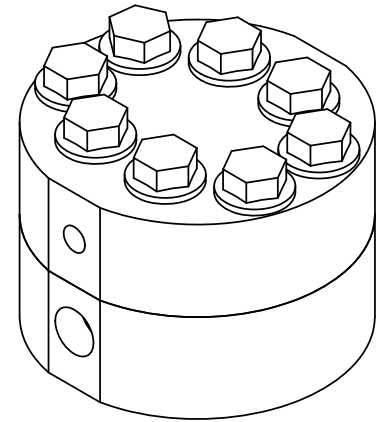


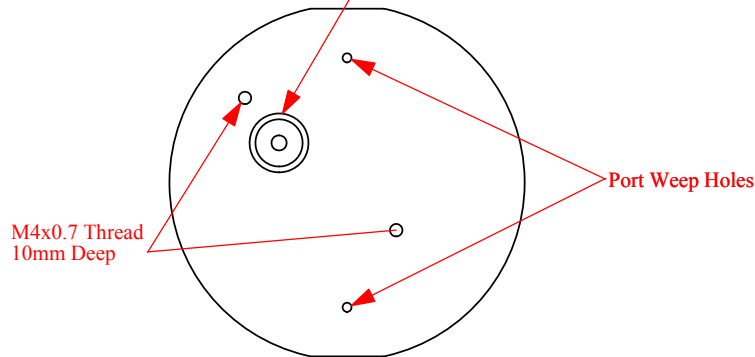
JVHS-xxKG and -EX DIMENSIONS

316ss HOUSING

15,000PSI WORKING PRESSURE



Sensor Hole
M14 Thread
(3/8" NPT on -EX Models)



****DIMENSIONS SUBJECT TO CHANGE WITHOUT NOTICE****

MODEL	PUL/GAL (AVERAGE)	A	B	C	D	E	F	G
JVHS-12KG	53,000	3.70"	3.62"	.35"	2.48"	1.89"	.71"	3/8" Autoclave Medium Pressure
JVHS-20KG	15,900	3.70"	3.62"	.35"	2.48"	1.89"	.71"	3/8" Autoclave Medium Pressure
JVHS-30KG	6,600	3.70"	3.62"	.35"	2.95"	2.36"	.71"	3/8" Autoclave Medium Pressure

AW COMPANY USE ONLY

THIS PRINT, INCLUDING THE INFORMATION CONTAINED IN IT IS THE PROPERTY OF AW COMPANY. IT IS CONSIDERED PROPRIETARY IN NATURE AND MAY NOT BE USED OR DISCLOSED OUTSIDE OF AW COMPANY, EXCEPT UNDER PRIOR WRITTEN AGREEMENT. ANY MODIFICATIONS MADE TO OR COMMENTS WRITTEN ON THIS DRAWING BY UNAUTHORIZED PERSONNEL WILL VOID THIS DRAWING. ALL DIMENSIONS SHOWN ARE SUBJECT TO CHANGE WITHOUT NOTICE.

TOLERANCES UNLESS NOTED ENGLISH

.XXXX +/- .0005
.XXX +/- .001
.XX +/- .01

FRAC. +/- 1/64
ANG. +/- 0.1 DEG
SURFACE FINISH: 64 MAX

PROJECT NAME: JVHS-XXKG DIMENSIONS

PART DESCRIPTION: JVHS-XXKG

MATERIAL:

FINISH:

HARDENING:

DRAWING NUMBER: JVHS802B

REV: B

PART NUMBER:

DATE: 08/20/07

DRAWN BY: S. HONSBERGER

PAGE: 1 OF 2

SCALE: 1:1



2440 W. Corporate Preserve Dr. #600
Oak Creek, WI 53154
Phone: 414.574.4300
Fax: 414.574.4301

REVISION	DESCRIPTION	DATE	BY
B	UPDATED LOGO	08/20/07	SH
A	Initial Release	03/16/06	SH