

# TCE 6000 TRICOR Coriolis Transmitter

## Common Uses

The TCE 6000 is a Multi-variable Coriolis transmitter that can output flow rate, total, density or temperature. Units ship factory-configured and ready for ESTA applications. TCE 6000 transmitters communicate via RS485 (Modbus RTU) for easy connection with the TRICOR configurator.



## Technical Specifications

Supply Voltage	24 VDC
Power Consumption	Max. 4 W
Interfaces	RS485 (Modbus RTU), USB (option)
Housing Material	Aluminum
Protection Class	IP65
Ambient Temperature	-40 to 158°F (-40 to 70°C)
Connectivity	M12 connectors

## Analog Output

Current Outputs (2x)	4-20 mA active
Output Value (programmable)	flow, total mass, total volume, density, temperature

## Pulse Output

Frequency Range	0.5 - 10,000 Hz For ESTA (OPTV receiver): 0.5 - 5,000 Hz
Output Signal	Active push-pull output for flow rate Optional: isolated optical pulse output

## Status Input & Output

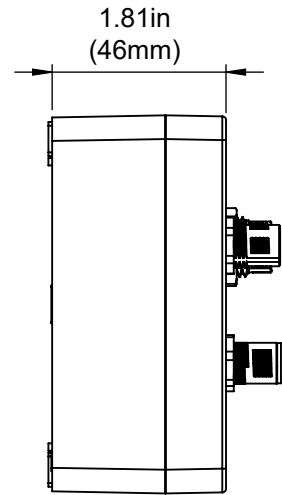
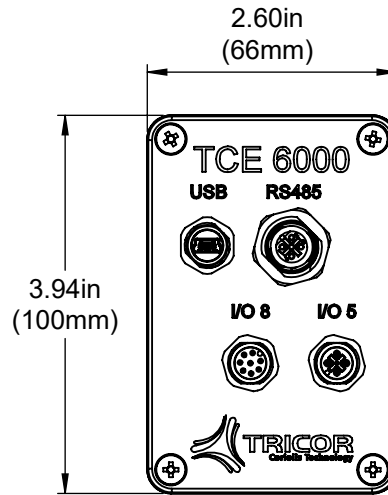
Status Output	Push pull programmable (option) in TOTAL mode: 0.5 - 100 Hz
Control Input (programmable)	Standard: 1 input / option: 2 inputs Optional: insulated optical control input

# TCE 6000 TRICOR Coriolis Transmitter

## Unit Dimensions & Weights

### Meter-Mount Transmitter

Weight: 0.7 lb (0.3 kg)



## Certifications

ATEX*	<b>Zone 2:</b> II 3G Ex nA IIC T2...T4 Gc
EMC	EN 61000-6-4 EN 61000-6-2

\*Only if powered by an SELV supply.

