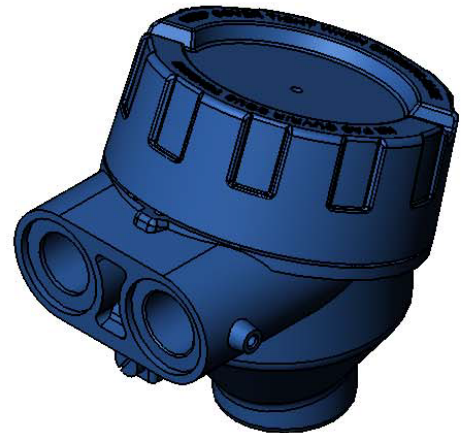
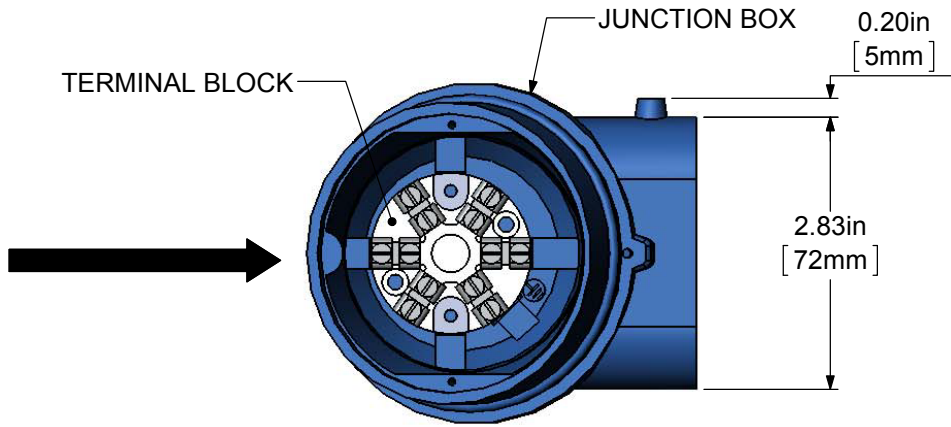
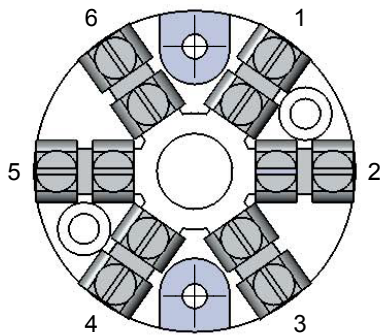
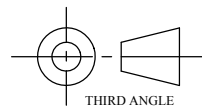
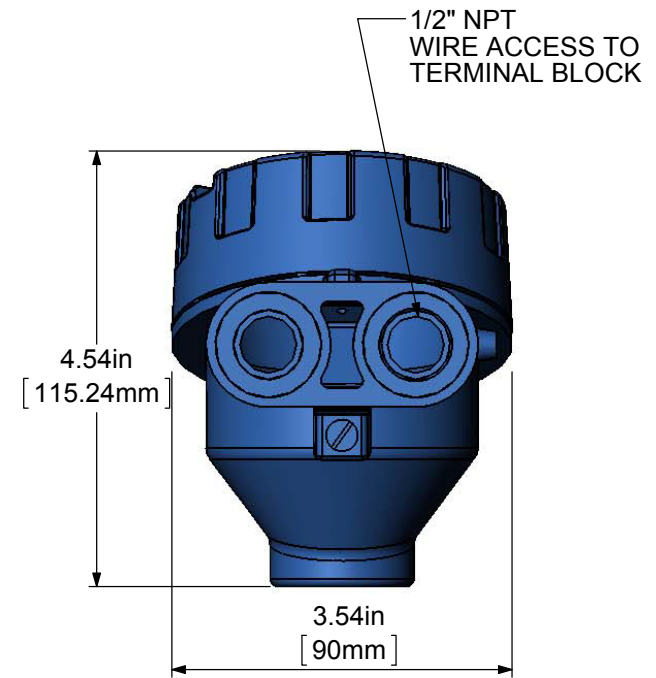
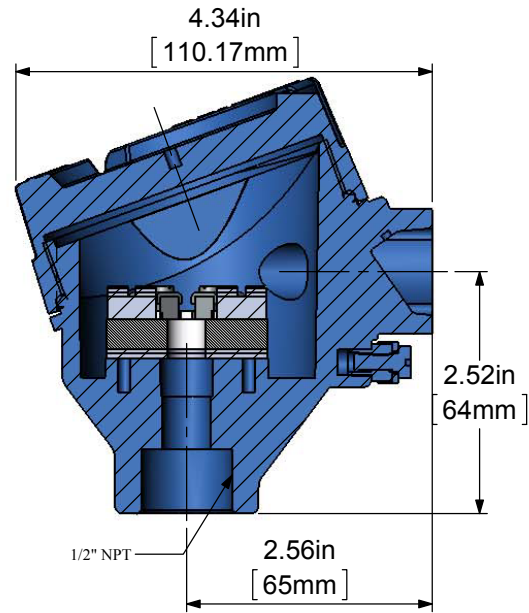



HUB-40-Ex ASSEMBLY

6 POSITION TERMINAL BLOCK



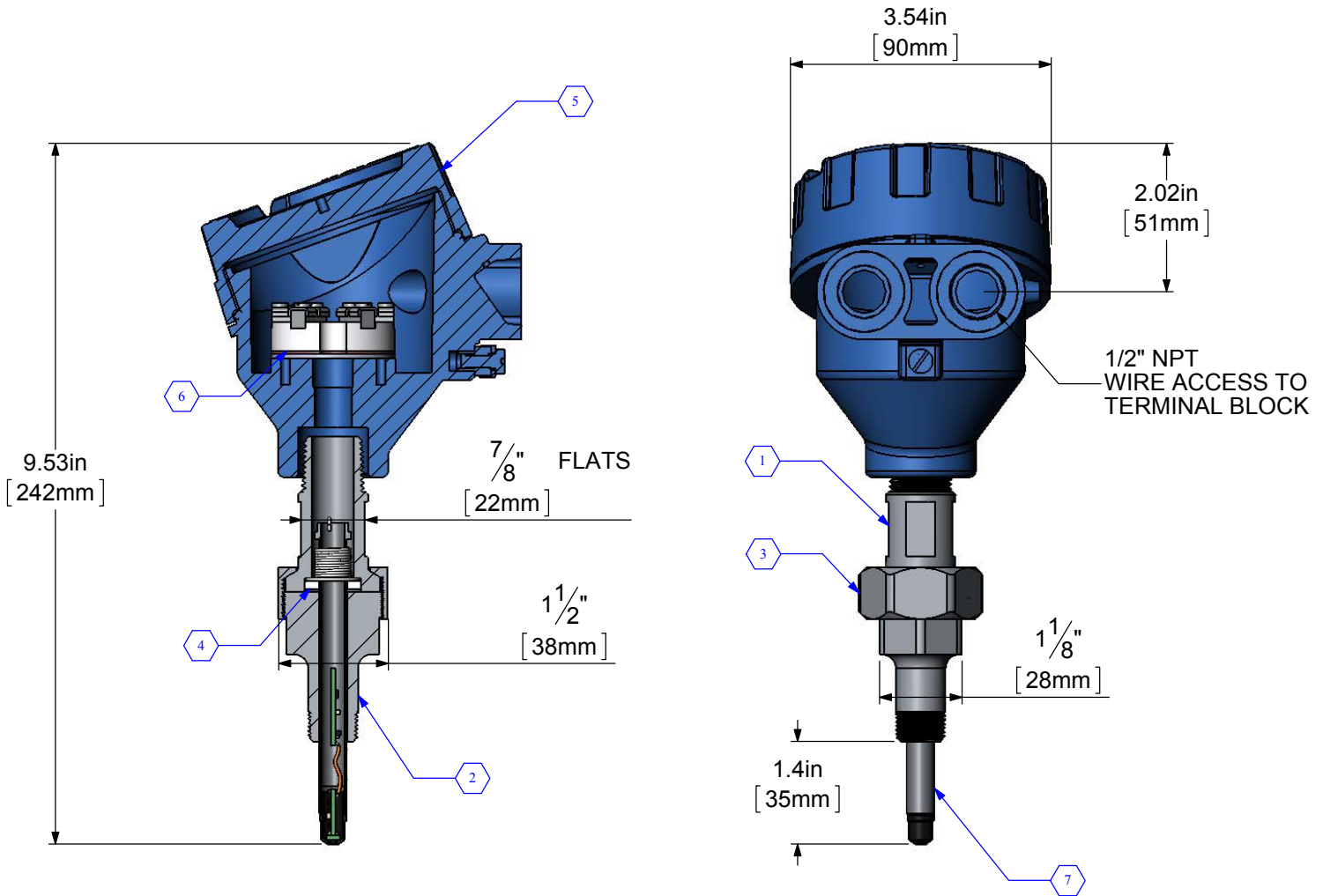
- TERMINAL 1: NO CONNECTION
- TERMINAL 2: EARTH GROUND
- TERMINAL 3: SUPPLY -
- TERMINAL 4: SIGNAL (FREQ. PULSE)
- TERMINAL 5: SUPPLY +
- TERMINAL 6: NO CONNECTION



AW-LAKE COMPANY USE ONLY PURCHASED PART THIS PRINT, INCLUDING THE INFORMATION CONTAINED IN IT IS THE PROPERTY OF AW-LAKE COMPANY. IT IS CONSIDERED PROPRIETARY IN NATURE AND MAY NOT BE USED OR DISCLOSED OUTSIDE OF AW-LAKE COMPANY, EXCEPT UNDER PRIOR WRITTEN AGREEMENT. ANY MODIFICATIONS MADE TO OR COMMENTS WRITTEN ON THIS DRAWING BY UNAUTHORIZED PERSONNEL WILL VOID THIS DRAWING. ALL DIMENSIONS SHOWN ARE SUBJECT TO CHANGE WITHOUT NOTICE.		TOLERANCES UNLESS NOTED ENGLISH		PROJECT NAME: HUB-40-Ex		 2440 W. Corporate Preserve Dr. #600 Oak Creek, WI 53154 Phone: 414.574.4300 Fax: 414.574.4301
				PART DESCRIPTION: HUB-40-Ex with Junction Box and Terminal Block		
MATERIAL: N/A						
FINISH: N/A						
HARDENING: N/A						
DRAWING NUMBER: HUB-40 Assembly		REV: A				
PART NUMBER: AW HUB-40EX		DATE: 10/24/11				
DRAWN BY: R. SHOOK		SCALE: 1:2				
PAGE: 1 OF 2						

REV.	DESCRIPTION	DATE	APPROVED
REVISIONS			

HUB-40-Ex ASSEMBLY



BOM Table			
ITEM NO.	AW-LAKE PART #	DESCRIPTION	QTY.
1	ENC-SS001S	SWIVEL UNION TOP	1
2	ENC-SS002S	SWIVEL UNION BOTTOM	1
3	ENC-SS003S	SWIVEL UNION COLLAR	1
4	FAS-WU001	RETAINING RING	1
5	ENC-AL001X	EX JUNCTION BOX ENCLOSURE	1
6	CON-TB002	6 POSITION TERMINAL BLOCK	1
7	HALL-EX3.75-ASM	HALL PICKUP ASSEMBLY	1

AW-LAKE COMPANY USE ONLY
PURCHASED PART

THIS PRINT, INCLUDING THE INFORMATION CONTAINED IN IT IS THE PROPERTY OF AW-LAKE COMPANY. IT IS CONSIDERED PROPRIETARY IN NATURE AND MAY NOT BE USED OR DISCLOSED OUTSIDE OF AW-LAKE COMPANY, EXCEPT UNDER PRIOR WRITTEN AGREEMENT. ANY MODIFICATIONS MADE TO OR COMMENTS WRITTEN ON THIS DRAWING BY UNAUTHORIZED PERSONNEL WILL VOID THIS DRAWING. ALL DIMENSIONS SHOWN ARE SUBJECT TO CHANGE WITHOUT NOTICE.

TOLERANCES UNLESS NOTED
ENGLISH

PROJECT NAME: HUB-40-Ex
PART DESCRIPTION: HUB-40-Ex with Junction Box and Terminal Block
MATERIAL: N/A
FINISH: N/A
HARDENING: N/A
DRAWING NUMBER: HUB-40 Assembly **REV:** A
PART NUMBER: AW HUB-40EX **DATE:** 10/24/11
DRAWN BY: R. SHOOK
PAGE: 2 OF 2 **SCALE:** 1:2



2440 W. Corporate Preserve Dr. #600
Oak Creek, WI 53154
Phone: 414.574.4300
Fax: 414.574.4301