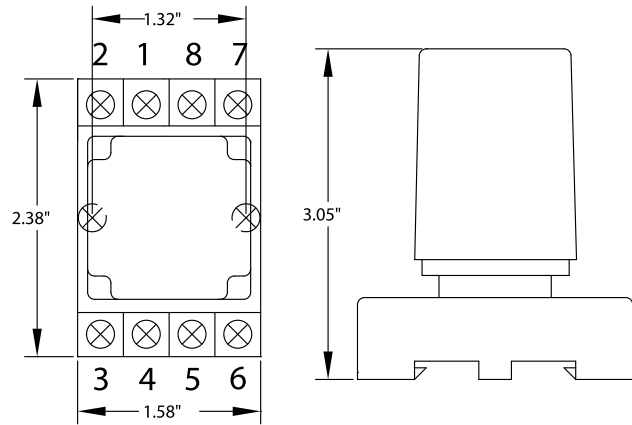


JV-400 AMPLIFIER SERIES

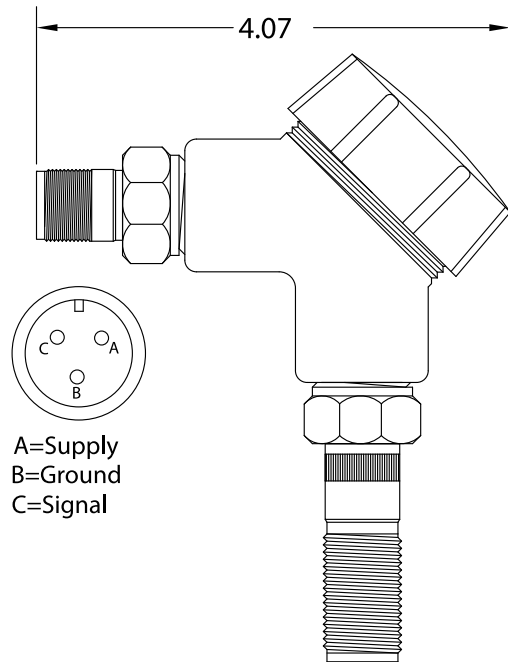


JV-400 AMPLIFIER

JV-400 CONNECTIONS:

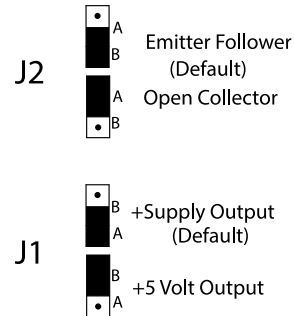
- 1 - +10 TO 28 VDC SUPPLY
- 2 - GROUND FOR SUPPLY
- 3 - NOT USED
- 4 - NOT USED
- 5 - SIGNAL INPUT
- 6 - SIGNAL INPUT
- 7 - SIGNAL OUTPUT
- 8 - GROUND FOR SIGNAL OUT

NOTE: PIN 2 AND 8 ARE CONNECTED TOGETHER INTERNALLY

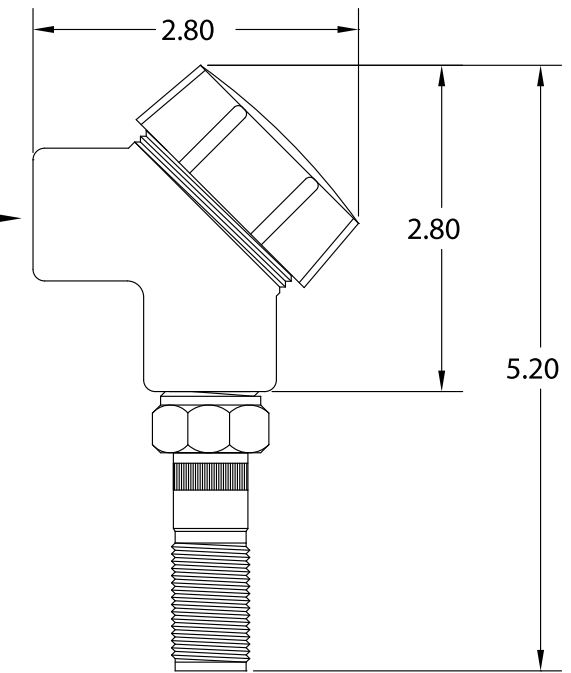
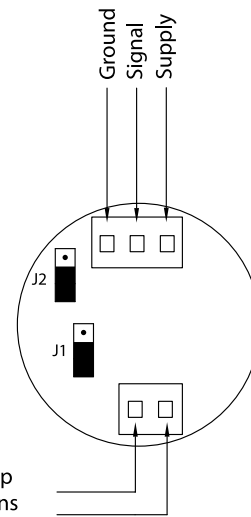


JV-400/E AMPLIFIER

JUMPER SETTINGS



MAG Pickup Connections (No Polarity)



JV-400/J AMPLIFIER

AW-LAKE COMPANY USE ONLY

THIS PRINT, INCLUDING THE INFORMATION CONTAINED IN IT, IS THE PROPERTY OF AW-LAKE COMPANY. IT IS CONSIDERED PROPRIETARY IN NATURE AND MAY NOT BE USED OR DISCLOSED OUTSIDE OF AW-LAKE COMPANY, EXCEPT UNDER PRIOR WRITTEN AGREEMENT. ANY MODIFICATIONS MADE TO OR COMMENTS WRITTEN ON THIS DRAWING BY UNAUTHORIZED PERSONNEL WILL VOID THIS DRAWING. ALL DIMENSIONS SHOWN ARE SUBJECT TO CHANGE WITHOUT NOTICE.



2440 W. Corporate Preserve Dr. #600
Oak Creek, WI 53154
Phone: 414.574.4300
Fax: 414.574.4301

TITLE: JV-400 AMPLIFIER SERIES			
DRAWING NUMBER: JV40554D	PART NUMBER: -		
DATE: 05/28/14	REV: D	DRAWN BY: CHRIS HUSSON	
CHECKED BY: C.H.	PAGE OF 1	1	SCALE: NONE