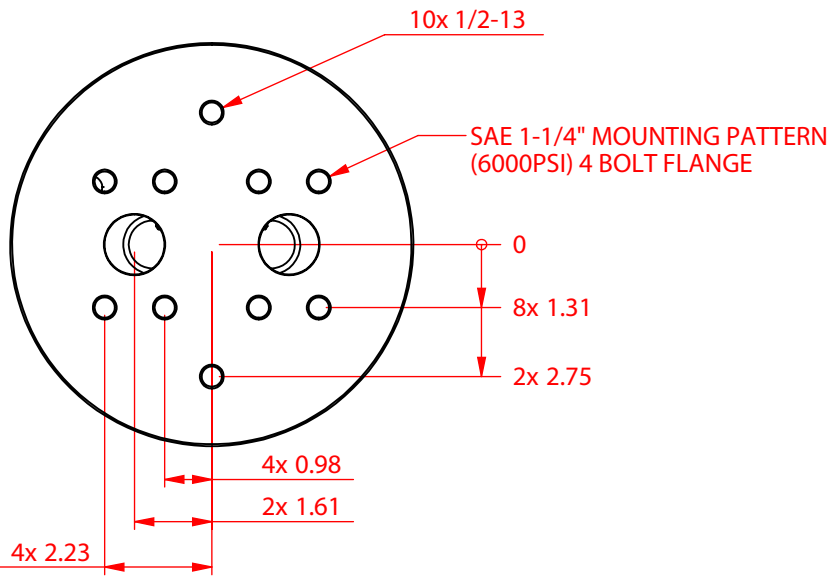
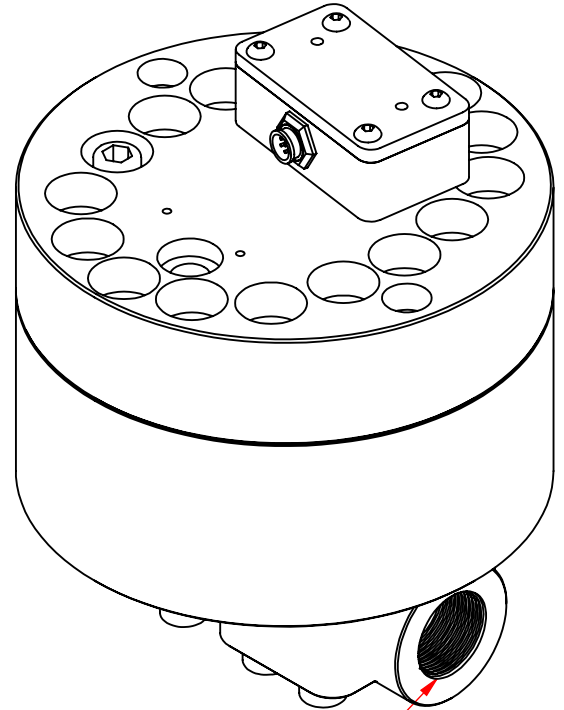
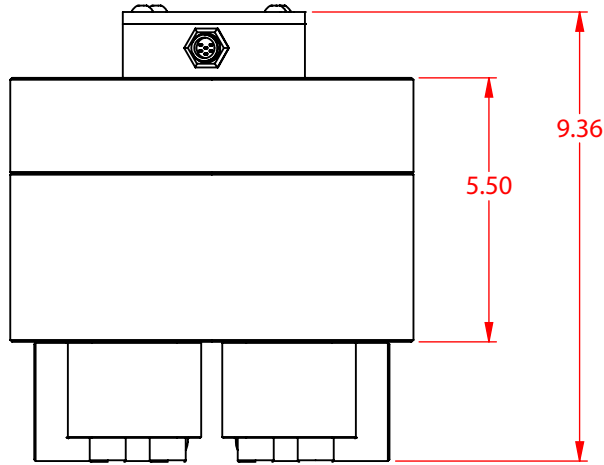
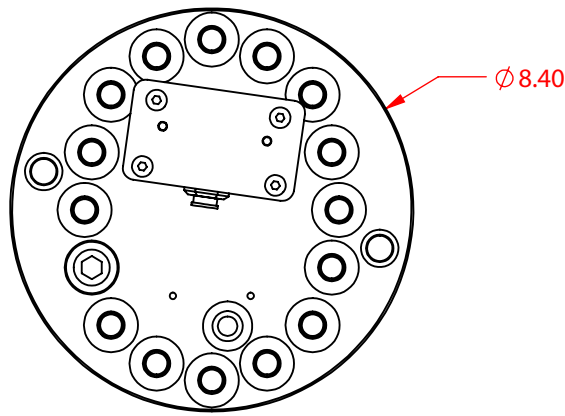


JVx-80KL FLOWMETER SHOWN W/ FLANGE AND QUAD-4 SENSOR



D	UPDATED DRAWING TEMPLATE	1/7/2009	SAH
REV.	DESCRIPTION	DATE	APPROVED
REVISIONS			
<p>AW-LAKE COMPANY USE ONLY</p> <p>THIS PRINT, INCLUDING THE INFORMATION CONTAINED IN IT IS THE PROPERTY OF AW-LAKE COMPANY. IT IS CONSIDERED PROPRIETARY IN NATURE AND MAY NOT BE USED OR DISCLOSED OUTSIDE OF AW-LAKE COMPANY, EXCEPT UNDER PRIOR WRITTEN AGREEMENT. ANY MODIFICATIONS MADE TO OR COMMENTS WRITTEN ON THIS DRAWING BY UNAUTHORIZED PERSONNEL WILL VOID THIS DRAWING. ALL DIMENSIONS SHOWN ARE SUBJECT TO CHANGE WITHOUT NOTICE.</p>	<p>TOLERANCES UNLESS NOTED ENGLISH</p>	<p>PROJECT NAME: JVX-80KL</p> <p>PART DESCRIPTION: JVX-80KL W/ QUAD-4 SENSOR</p> <p>MATERIAL:</p> <p>FINISH:</p> <p>HARDENING:</p> <p>DRAWING NUMBER: JV80800D</p> <p>DRAWN BY: SHONSBERGER</p> <p>PAGE: 1 OF 2</p>	<p>REV: D</p> <p>DATE: 01/07/09</p> <p>SCALE: 1:5</p>



2440 W. Corporate Preserve Dr. #600
Oak Creek, WI 53154
Phone: 414.574.4300
Fax: 414.574.4301