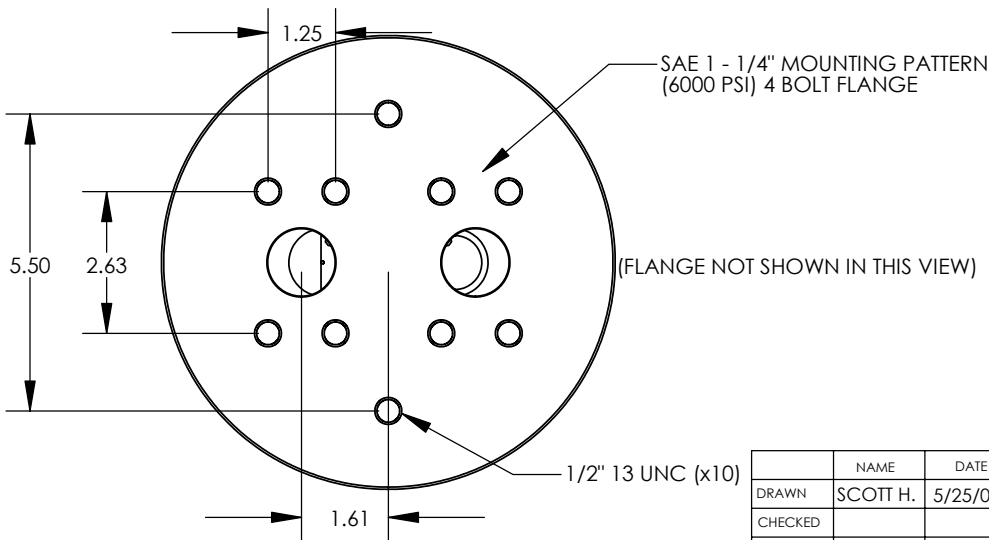
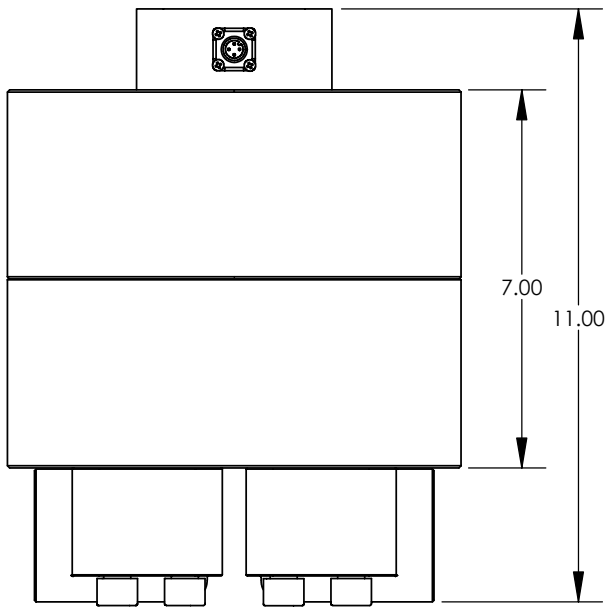
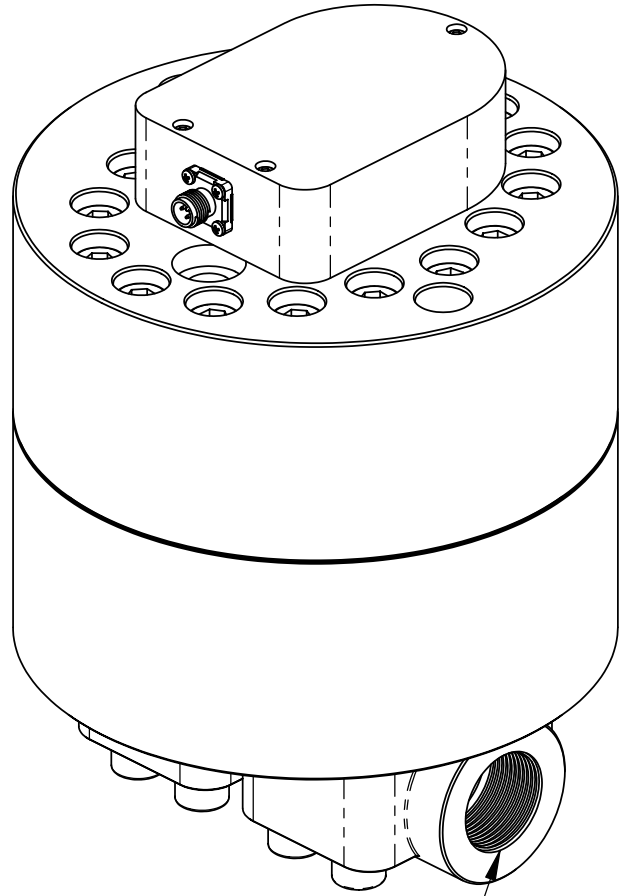
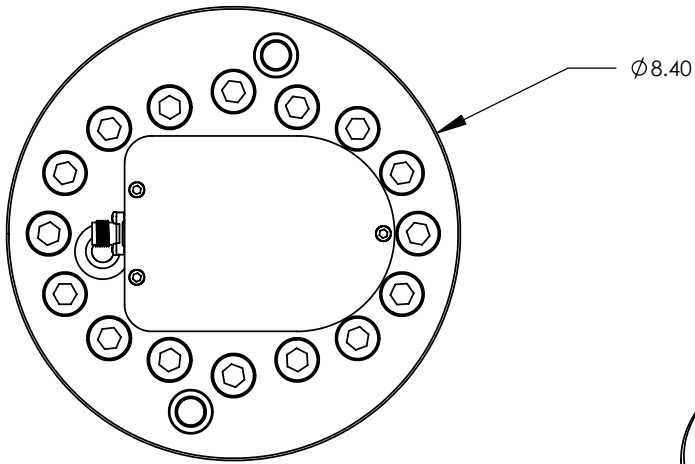


JV-90KL FLOWMETER

REVISIONS			
REV.	DESCRIPTION	DATE	APPROVED
A	INITIAL RELEASE	04/01/02	SW




1 - 1/4" NPTF

PROPRIETARY AND CONFIDENTIAL

THIS PRINT, INCLUDING THE INFORMATION CONTAINED IN IT, IS THE PROPERTY OF AW COMPANY. IT IS CONSIDERED PROPRIETARY IN NATURE AND MAY NOT BE USED OR DISCLOSED OUTSIDE OF AW COMPANY, EXCEPT UNDER PRIOR WRITTEN AGREEMENT. ANY MODIFICATION MADE TO OR COMMENTS WRITTEN ON THIS DRAWING BY UNAUTHORIZED PERSONNEL WILL VOID THIS DRAWING. ALL DIMENSIONS SHOWN ARE SUBJECT TO CHANGE WITHOUT NOTICE.

	NAME	DATE
DRAWN	SCOTT H.	5/25/04
CHECKED		
ENG APPR.		
MFG APPR.		
Q.A.		



JV-90KL FLOWMETER DIMENSIONS

SIZE A	DWG. NO. JV90800B	REV. B
SCALE: NONE	PART #:	SHEET 1 OF 1

COMMENTS:
DIMENSIONS ARE IN INCHES