

MX 9000 PANEL MOUNT PROCESS MONITOR

Ideal for monitoring various fluids in applications in industrial flow measurement where a simple, compact & easy-to-use remote panel meter is required.



FEATURES

Rate, total, limit, batch and ratio options

- Single or dual channel
- Two programmable Form C relay outputs (optional)
- One or two assignable 4-20 mA output (optional)
- Data logging capabilities
- Easy-to-read LCD display with color backlight that changes color for warning or alarm

APPLICATIONS

The MX 9000 Process Monitor is a versatile, multi-functional device that helps you track rate, total, limit, ratio, and more. Standard unit is one channel. Optional two channels allow you to monitor dual flows, and display them in a number of ways: separately, as a sum (for example in total material use), as a difference (as in fuel consumption), or as a ratio of product A/product B. Also use the MX 9000 to detect bi-directional flow when A and B channel signals are available from a single flow meter.

The MX 9000 has a number of related functions that add to its capabilities. Three model variations (see reverse side) give the MX 9000 the capability of performing limit, warning and alarm duties.

BENEFITS

Monitoring Versatility

The MX 9000 is available with one or two channels, to monitor:

- Flow rate from one or two meters
- Flow volume (sum or difference of two flows)
- Ratio (product A/product B)

Intuitive Setup PC Software

The MX 9000 can be setup from the convenience of your PC with a simple download of the MX 9000 Toolkit software, found on the AW-Lake website (www.aw-lake.com/software/). You can change all settings from the PC Toolkit, including:

- K-factor
- Limits
- Analog outputs
- Flow measurement units

Easy Remote Programming

This unit can be easily programmed to display what you need in a variety of engineering units.

Up and Running in Minutes

Easy plug-in installation. A quick setup procedure allows you to have the flow monitor working with just a few simple programming steps.

TECHNICAL SPECIFICATIONS

Power Requirement

14 to 16 VAC/250mA, or 18-24 VDC/200mA (customer supplied), or 120/240 VAC (optional).

**All units are shipped with 120VAC/1000mA wall transformer.*

Analog Output 4-20mA

External-powered loop output into a maximum 500 ohm load impedance with 24 VDC supply. 2nd loop output optional.

Frequency Inputs

0-4 KHz, sine, square or saw-tooth; 4 volts minimum amplitude; 3.3 Kohm maximum impedance.

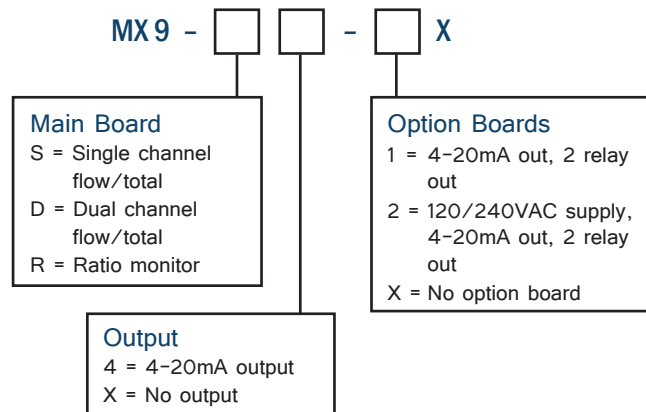
Integrated Linearization

Maximum 10-point linearization table for improved accuracy over range.

Flow Sensor Power Supplies

(2) @ 15 VDC / up to 50 mA each

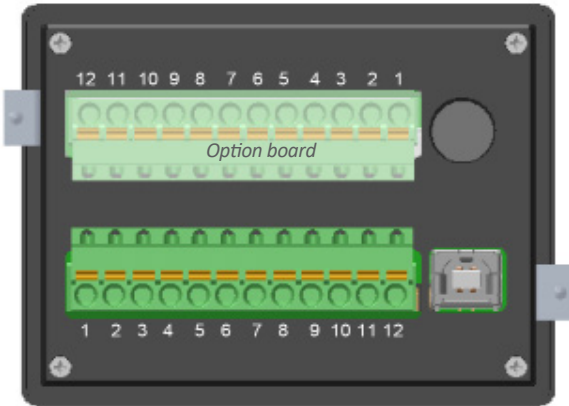
PART NUMBER GUIDE



MX 9000 PANEL MOUNT PROCESS MONITOR

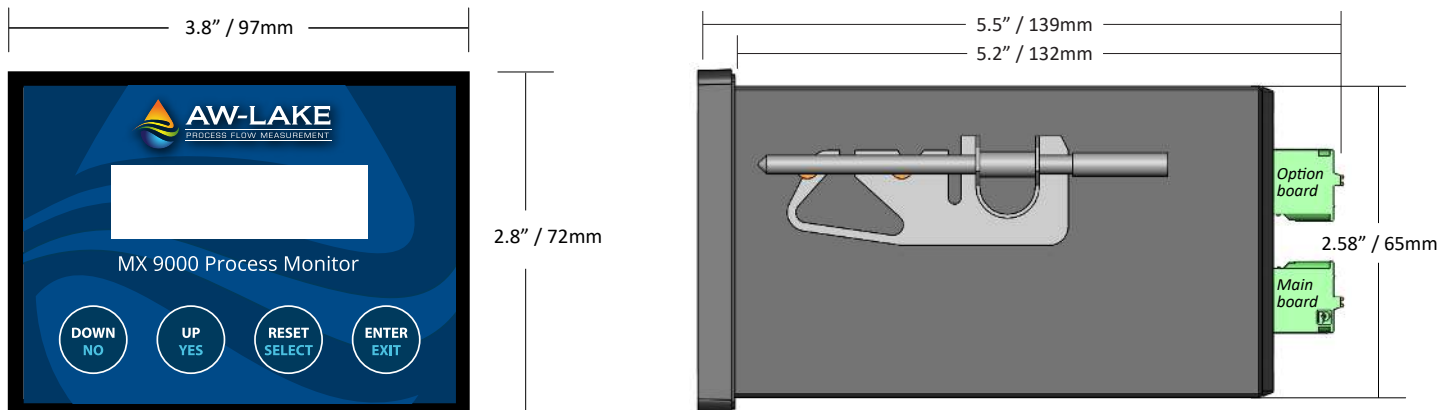
Ideal for monitoring various fluids in applications in industrial flow measurement where a simple, compact & easy-to-use remote panel meter is required.

TERMINAL ASSIGNMENTS



Terminal	Upper Connector	Lower Connector
1	OPTION BOARD DEPENDENT	+18-24VDC/16VAC
2		DC COM/16VAC
3		+15VDC Out
4		Sig. 1 In
5		Sig. 1 Common
6		+15VDC Out
7		Sig. 2 In
8		Sig. 2 Common
9		EXT Reset +
10		EXT Reset -
11		I + Out 1
12		I - Out 2

MONITOR DIMENSIONS



Products may be subject to change without notice - Contact factory for the most up-to-date product information.