

# MX 9000 PANEL MOUNT PROCESS MONITOR

Ideal for monitoring various fluids in applications in industrial flow measurement where a simple, compact & easy-to-use remote panel meter is required.



## FEATURES

Rate, total, limit, batch and ratio options

- Single or dual channel
- Two programmable Form C relay outputs (optional)
- One or two assignable 4-20 mA output (optional)
- Data logging capabilities
- Easy-to-read LCD display with color backlight that changes color for warning or alarm

## APPLICATIONS

The MX 9000 Process Monitor is a versatile, multi-functional device that helps you track rate, total, limit, ratio, and more. Standard unit is one channel. Optional two channels allow you to monitor dual flows, and display them in a number of ways: separately, as a sum (for example in total material use), as a difference (as in fuel consumption), or as a ratio of product A/product B. Also use the MX 9000 to detect bi-directional flow when A and B channel signals are available from a single flow meter.

The MX 9000 has a number of related functions that add to its capabilities. Three model variations (see reverse side) give the MX 9000 the capability of performing limit, warning and alarm duties.

## BENEFITS

### Monitoring Versatility

The MX 9000 is available with one or two channels, to monitor:

- Flow rate from one or two meters
- Flow volume (sum or difference of two flows)
- Ratio (product A/product B)

### Intuitive Setup PC Software

The MX 9000 can be setup from the convenience of your PC with a simple download of the MX 9000 Toolkit software, found on the AW-Lake website ([www.aw-lake.com/software/](http://www.aw-lake.com/software/)). You can change all settings from the PC Toolkit, including:

- K-factor
- Limits
- Analog outputs
- Flow measurement units

### Easy Remote Programming

This unit can be easily programmed to display what you need in a variety of engineering units.

### Up and Running in Minutes

Easy plug-in installation. A quick setup procedure allows you to have the flow monitor working with just a few simple programming steps.

## TECHNICAL SPECIFICATIONS

### Power Requirement

14 to 16 VAC/250mA, or 18-24 VDC/200mA (customer supplied), or 120/240 VAC (optional).

*\*All units are shipped with 120VAC/1000mA wall transformer.*

### Analog Output 4-20mA

External-powered loop output into a maximum 500 ohm load impedance with 24 VDC supply. 2nd loop output optional.

### Frequency Inputs

0-4 KHz, sine, square or saw-tooth; 4 volts minimum amplitude; 3.3 Kohm maximum impedance.

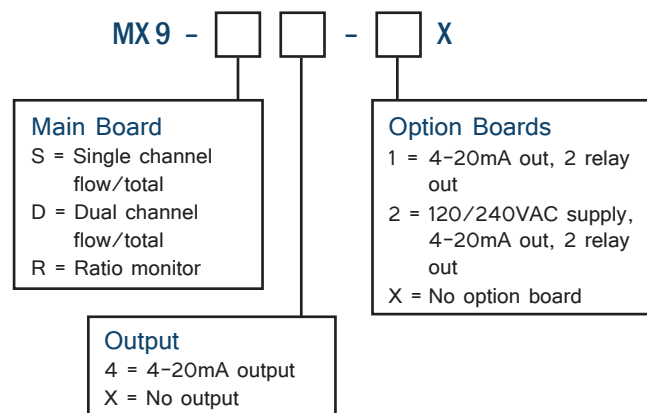
### Integrated Linearization

Maximum 10-point linearization table for improved accuracy over range.

### Flow Sensor Power Supplies

(2) @ 15 VDC / up to 50 mA each

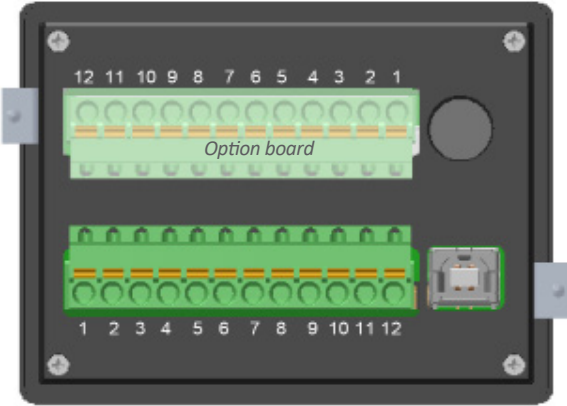
## PART NUMBER GUIDE



# MX 9000 PANEL MOUNT PROCESS MONITOR

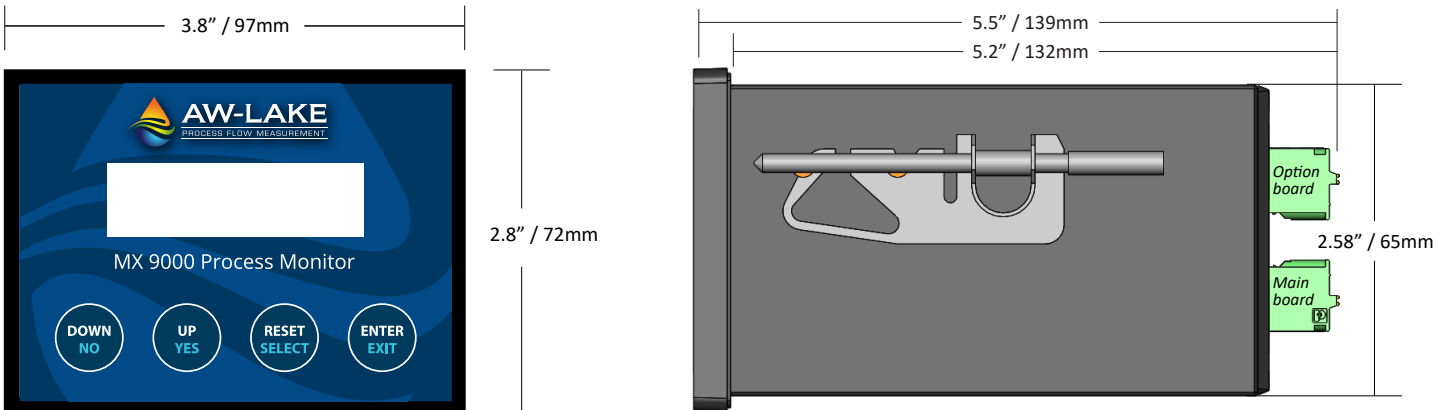
Ideal for monitoring various fluids in applications in industrial flow measurement where a simple, compact & easy-to-use remote panel meter is required.

## TERMINAL ASSIGNMENTS



Terminal	Upper Connector	Lower Connector
1	<b>OPTION BOARD DEPENDENT</b>	+18-24VDC/16VAC
2		DC COM/16VAC
3		+15VDC Out
4		Sig. 1 In
5		Sig. 1 Common
6		+15VDC Out
7		Sig. 2 In
8		Sig. 2 Common
9		EXT Reset +
10		EXT Reset -
11		I + Out 1
12		I - Out 2

## MONITOR DIMENSIONS



Products may be subject to change without notice - Contact factory for the most up-to-date product information.