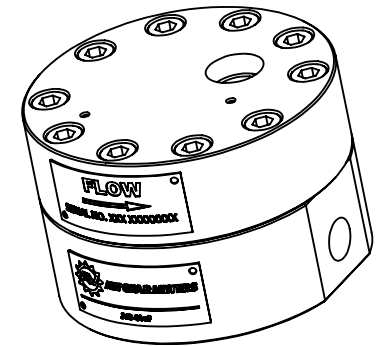
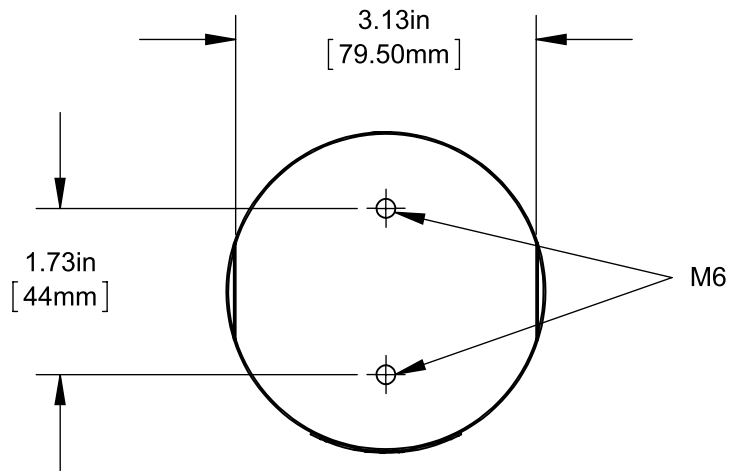
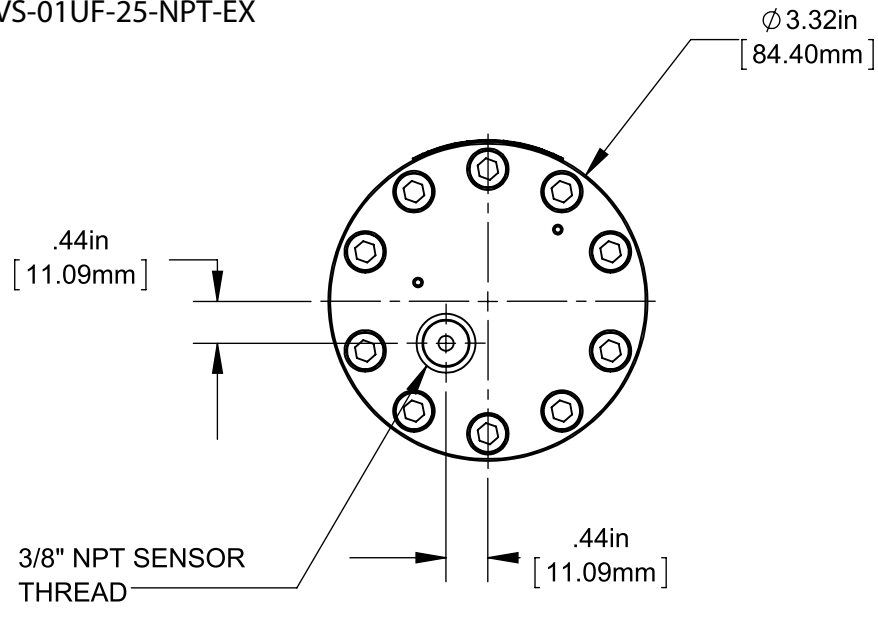


JVS-01UF-25-NPT-EX



| | | | |
|--|--|---------------------------------|-----------------|
| UNITS: | | DRAWING NO.: JVS-01UF-25-NPT-EX | |
| TOLERANCES UNLESS OTHERWISE NOTED | | PART NO.: JVS-01UF-25-NPT-EX | |
| IMPERIAL .XXXX ± .0005 .XXX ± .003 .XX ± .01 FRAC. ± .015 ANG. ± 5° | METRIC .XXX ± .013 .XX ± .07 .X ± .25 ANG. ± .5° | UPPER LEVEL: | |
| SURFACE FINISH: 64 MAX | | DESCRIPTION: | |
| INTERNAL USE ONLY | | MATERIAL: | |
| | | MODELED BY: | DATE: 1/20/2012 |
| THIRD ANGLE | | DRAWN BY: T. Binninger | DATE: 3/20/2015 |
| THIS PRINT, INCLUDING THE INFORMATION CONTAINED IN IT IS THE PROPERTY OF AW-LAKE COMPANY. IT IS CONSIDERED PROPRIETARY IN NATURE AND MAY NOT BE USED OR DISCLOSED OUTSIDE OF AW-LAKE COMPANY, EXCEPT UNDER PRIOR WRITTEN AGREEMENT. ANY MODIFICATIONS MADE TO OR COMMENTS WRITTEN ON THIS DRAWING BY UNAUTHORIZED PERSONNEL WILL VOID THIS DRAWING. ALL DIMENSIONS SHOWN ARE SUBJECT TO CHANGE WITHOUT NOTICE. | | | |
| REVISIONS | | REVISION: | SIZE: |
| A | | SCALE: 1:2 | A |
| REV. | DESCRIPTION | SHEET: 1 OF 1 | |



2440 W. Corporate Preserve Dr. #600
Oak Creek, WI 53154
Phone: 414.574.4300
Fax: 414.574.4301

| | | | | | |
|------|-------------|------------|----|-----|------|
| A | | 01/18/2013 | XX | XXX | XX |
| REV. | DESCRIPTION | DATE | BY | ECN | APVD |