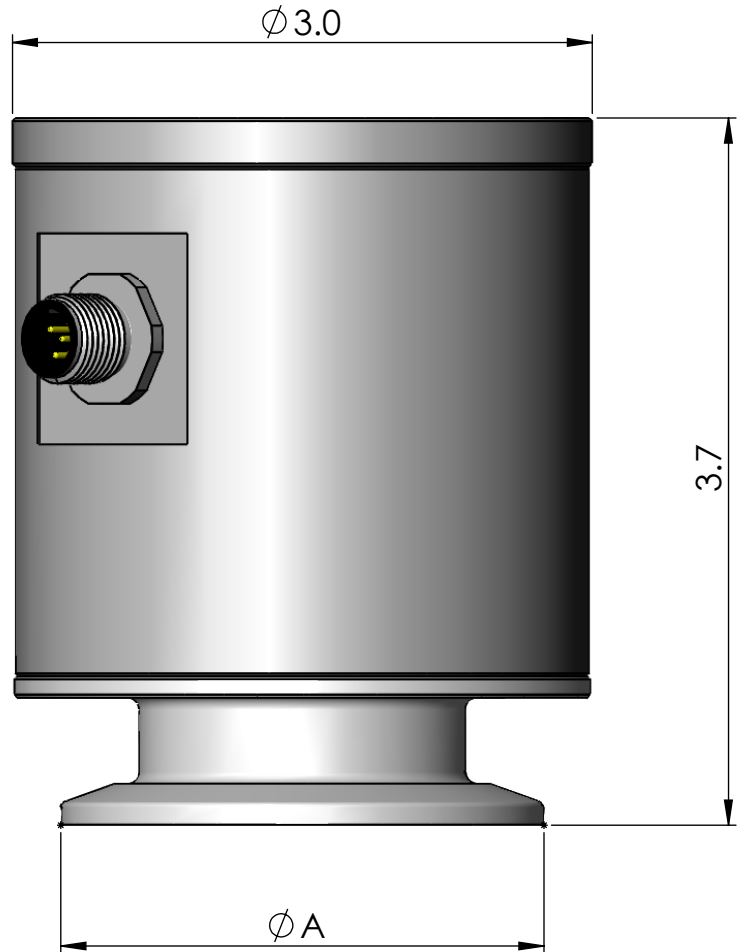
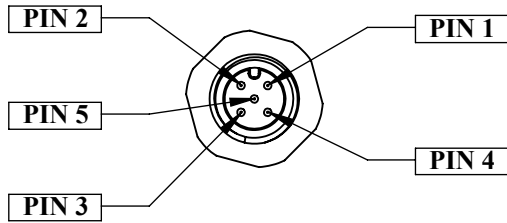


PROSCAN

MODEL #	DIMENSION "A"	HOUSING	LENS	GASKET	WEIGHT
ProScan-1.5	1.984"	316 SS	SAPPHIRE	FDA SILICONE	2.75 LBS
ProScan-2	2.516"	316 SS	SAPPHIRE	FDA SILICONE	3.00 LBS
ProScan-2.5	3.047"	316 SS	SAPPHIRE	FDA SILICONE	3.10 LBS
ProScan-3	3.579"	316 SS	SAPPHIRE	FDA SILICONE	3.20 LBS



	ANALOG
PIN 1	-mA Output
PIN 2	+mA Output
PIN 3	+15 - 24 VDC Supply
PIN 4	- Supply
PIN 5	No Connection

REV.	DESCRIPTION	DATE	APPROVED
C	REVISED NOTE	4/5/12	JP
B	UPDATED DRAWING TEMPLATE	2/4/2009	SAH
REVISIONS			
<p>AW-LAKE COMPANY USE ONLY PURCHASED PART</p> <p>THIS PRINT, INCLUDING THE INFORMATION CONTAINED IN IT IS THE PROPERTY OF AW-LAKE COMPANY. IT IS CONSIDERED PROPRIETARY IN NATURE AND MAY NOT BE USED OR DISCLOSED OUTSIDE OF AW-LAKE COMPANY, EXCEPT UNDER PRIOR WRITTEN AGREEMENT. ANY MODIFICATIONS, MADE TO OR COMMENTS WRITTEN ON THIS DRAWING BY UNAUTHORIZED PERSONNEL WILL VOID THIS DRAWING. ALL DIMENSIONS SHOWN ARE SUBJECT TO CHANGE WITHOUT NOTICE.</p>		<p>TOLERANCES UNLESS NOTED ENGLISH</p> <p>.XXXX +/- .0005 .XXX +/- .001 .XX +/- .01</p> <p>FRAC. +/- 1/64 ANG. +/- 0.1 DEG SURFACE FINISH: 64 MAX</p>	
<p>PROJECT NAME: Proscan</p> <p>PART DESCRIPTION: Proscan Dimension Drawing</p> <p>MATERIAL:</p> <p>FINISH:</p> <p>HARDENING:</p> <p>DRAWING NUMBER: PROS810C</p> <p>PART NUMBER:</p> <p>DRAWN BY: S. Honsberger</p> <p>PAGE: 1 OF 1</p>		<p>REV: C</p> <p>DATE: 02/04/09</p> <p>SCALE: 1:2</p>	



2440 W Corporate Woods Dr #600
Oak Creek, WI 53154
Phone: (262) 884-9800
Fax: (262) 884-9810

