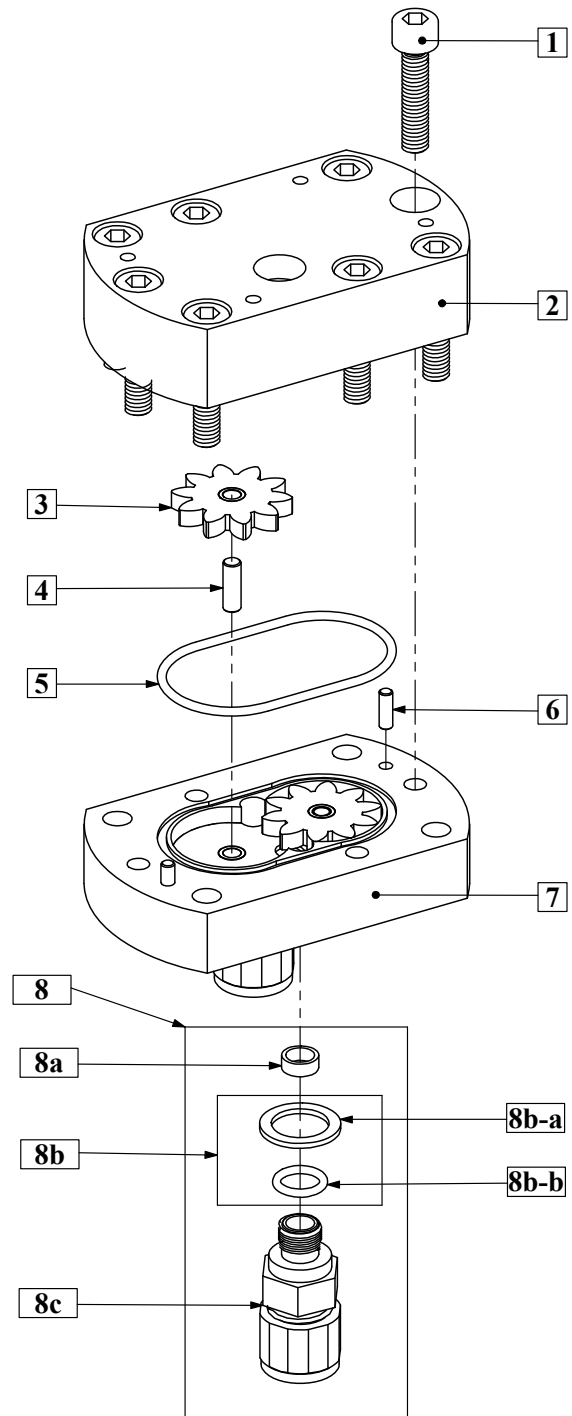


## MAINTENANCE GUIDE FOR THE JVS-10SLGS, JVS-15SLGS & JVS-20SLGS

\* Cleaning, inspecting and/or replacing parts can be done by following the procedure below.\*

**Read the entire procedure before taking apart the meter. Be careful when handling parts!**

- 1) Remove the 8 hex bolts (1) with a 5mm hex key.
  - a. Reinsert 2 of the bolts you just removed, the 2 on opposite ends work best, so that they are only holding by a few threads. While holding the upper housing firmly, tap the 2 bolts to separate the upper and lower housings (2 & 7). Do not pry or twist the housings to separate them, as this may damage internal parts of the meter.
- 2) Once the housings are separated:
  - a. Remove the gears (3) and shafts (4). Lift the gears straight up off of the shafts to avoid damaging the shafts.
  - b. Remove the o-ring (5).
  - c. Clean the gears, shafts, meter bodies, o-ring groove and shaft holes using solvent and a small brush.
  - d. Inspect the gears and shafts. The gears should spin freely on the shafts.
- 3) To reassemble the meter:
  - a. Replace the old o-ring if it is Teflon and replace it with a new one.
  - b. Reinsert the shafts into the shaft holes and reinsert the gears as well. Make sure the gears are spinning freely.
  - c. Keep the meter housings as parallel as possible during reassembly. Line up the index marks which are located on either end of the upper and lower housings.
  - d. Replace the 8 hex bolts (1) that were removed last and tighten them to approximately 15Nm (this is hand tight). Do not force the housings together as you could damage the meter. Tighten the bolts a few turns at a time, switching to another to gently secure the housing together. Over tightening will not damage the meter but the bolts can break if tightened too much.
- 4) After reassembly make sure the gears spin freely by gently blowing air into the inlet. You should be able to hear the gears spin given a moderate background noise level.



# CROSS REFERENCE GUIDE FOR JVS-10SLGS, JVS-15SLGS & JVS-20SLGS SERIES SPARE PARTS

Part - Qty. per meter [Drawing Ref. #]	JVS-10SLGS	JVS-15SLGS	JVS-20SLGS
Upper Housing - 1 [1]	Not Field Replaceable		
Lower Housing - 1 [7]	Not Field Replaceable		
Gears - 2 [3]	AG10010 GR-10CG Gear	AG15010 GR-15CG Gear	AG20010 GR-20CG Gear
Shafts - 2 [4]	AG15052 ST-15SLGFS Shaft		AG15055 ST-20SLGFS Shaft
Teflon O-Ring - 1 [5]	AG15035 COT-10SLG	AG15050 COT-15-SLGS Teflon O-Ring	
Locating Pins - 2 [6]	AG15030 LP-CG Locating Pin		
Hex Bolts - 8 [1]	AG15070 M6 x 1.0 x 25mm		AG15060 M6 x 1.0 x 30mm
Adapter Assembly - 2 [8]	BC80009 SLG-ALY Adapter Assembly		
Space Filler - 2 [8a]	BZ34020 TSF-SLG Teflon Space Filler		
Washer/Seal Assembly - 2 [8b]	BZ15010 WAL-SLG Washer with Seal		
Washer - 2 [8b-a]	ME20015 HPMS709A Washer for HPM-15SLG		
Seal - 2 [8b-b]	B090010 012-EPR-70 SLG-Seal		
Fitting - 2 [8c]	BC80011 BSP-SLG Modified Fitting		

Table Format: 

AG15010 GR-15CG Gear
-------------------------

 ← AW Part #  
← AW Part Description

