

SRZ HR ULTRA HIGH RESOLUTION HELICAL GEAR FLOW METER WITH INTEGRAL PICKUP

Ideal for highly filled and abrasive fluids, such as polyurethanes and polymers, glues and sealing materials, as well as heavy fuel oils.



APPLICATIONS

AW-Lake offers these specialized helical gear flow meters suitable for a variety of industrial applications, including:

- Sealant / Adhesive Dispensing Applications – Single and Multi-Component
- Paint Reclaim and Environmental Tracking
- Paint Circulation / Supply
- Paint Spray Operations–High Solids / Filled Materials
- Material Manufacturing – Monitoring / Batching
- Full body resin applications

TECHNICAL SPECIFICATIONS

Measuring Accuracy

±0.5% of reading with fluid viscosities >30cP

Linear Range

0.01 to 2.0 gpm*

Maximum Operating Pressure

up to 6,000 psi

Maximum Fluid Temperature

160° F

Low Pressure Loss

Ultra High Resolution

BENEFITS

Affordable and Accurate

This meter has the ability to maintain consistent accuracy despite changing viscosity conditions, with accuracy of ±0.5% of reading.

Rugged Construction/High Pressure

The SRZ's solid meter construction is made of 303 stainless steel with tungsten carbide bearings for corrosion resistance and durability. Optional hard-coat gear offerings available.

Flexible

May be used with a wide range of materials and viscosities with a low pressure drop than conventional meters and wide flow range/size selection. Models now offered in both NPT and BSPP threaded ports.

Proven Reliability & Performance

With a proven industry record for reliable meter life and electronics, these meters now offered in a low profile design with integrated sensor technology.

MATERIALS OF CONSTRUCTION

Body	303 Stainless Steel
Bearings	Tungsten Carbide
Gear	303 Stainless Steel (QPQ1 coating) <i>Note: Other coatings available</i>
Seals	PTFE Standard (FKM & EPDM also available)

METER DATA

Meter Size	Flow Range* (GPM)	Nominal K-Factor* (pulses/gal)	Port Size (Thread Size)	Filtration (Micron)	Frequency Range (Hz)	Pressure Rating
SRZ-40ST.HR.T-xx	0.01 - 2	124,900 pulses/gal 33 pulses/cc	3/4"	200	20 - 4,200	6,000 psi

xx= B1 for NPT port thread, B2 for BSPP port thread

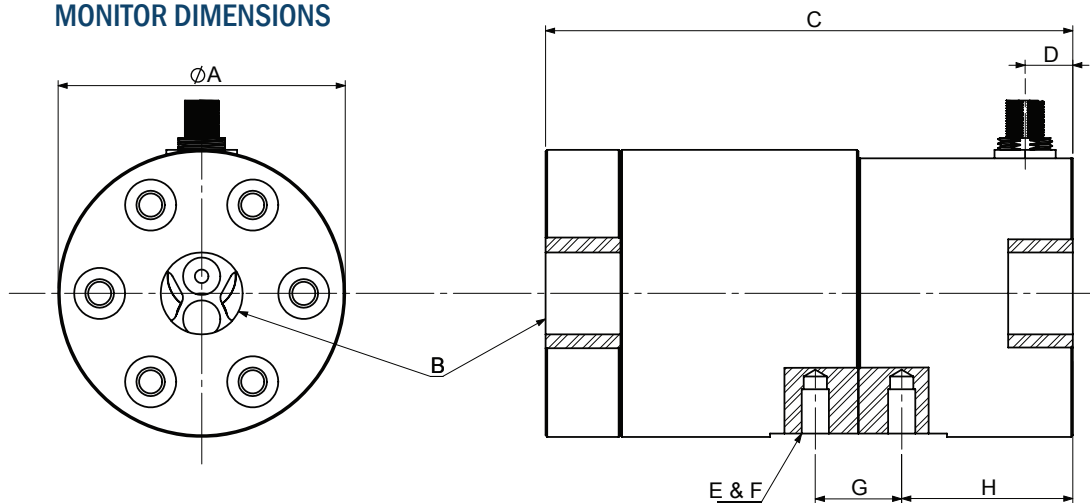
* Operation down to 0.01 gpm with reduced accuracy.

** A calibration sheet accompanies every meter sold with specific K-factor.

SRZ HR ULTRA HIGH RESOLUTION HELICAL GEAR FLOW METER WITH INTEGRAL PICKUP

Ideal for highly filled and abrasive fluids, such as polyurethanes and polymers, glues and sealing materials, as well as heavy fuel oils.

MONITOR DIMENSIONS



Meter Size	A	B (port size)	C	D	E (thread type)	F (thread depth)	G	H
SRZ-40ST. HR.T-xx	3.35"	3/4"	6.10"	0.55"	M8	0.51"	1.0"	1.98"

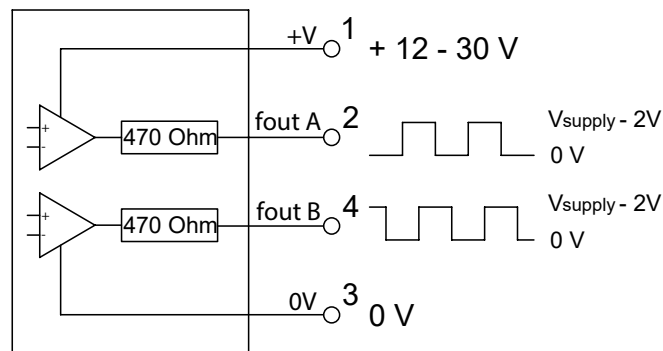
xx= B1 for NPT port thread, B2 for BSPP port thread

ELECTRICAL DATA

Supply Voltage: 12 up to 30 VDC

Frequency Output: Active push pull, square wave signal
out max. 20 mA
Duty cycle 50% nominal

Electrical Connection: Micro (M12)
1 = +Supply (12 up to 30 VDC)
2 = Output signal A
3 = 0V
4 = Output signal B
5 = n.c.
- All output signals are available simultaneously
- Signals 2 and 4 are 90° phase-shifted.



Ingress Protection: IP 67 when used with IP67 rated mating connector

Connector Pin-Out:



Note: Not for use with materials containing any ferromagnetic fillers or particles due to internal multi-pole magnet.

EX Versions available, consult factory. Products may be subject to change without notice - Contact factory for the most up-to-date product information.