

TQ Series Wafer Style Turbine Flow Meter

Common Uses

The TQ Wafer Style Turbine Flow Meter is made from superior materials for high performance in aggressive environments. The wafer style mounting configuration eliminates the need for mating flanges, resulting in lower costs and simplified installation. The modified upstream and downstream flow straighteners allow for a higher accuracy and greater fluid dynamics.

- **Accurate & Repeatable:** The TQ Series turbine meter is accurate to $\pm 1\%$ of reading with repeatability of better than $\pm 0.1\%$.
- **Smart & Simple Design:** Unique design eliminates the need for mating flanges, resulting in lower costs and simplifying installation. Space-Saver Wafer-style mounting configurations for limited space requirements.
- **High Performance:** This flow meter is made from superior materials of construction for high performance in aggressive environments.



Technical Specifications

General Meter Data	
12 Flow Ranges	0.3 to 5,500 gpm (across all meter sizes)
Measuring Accuracy	$\pm 1.0\%$ over full range with 1cP fluid $\pm 2.0\%$ for TQ1-2 and TQ1-3
Repeatability	$\pm 0.1\%$ over full range
Operating Temperature Range	-100°F up to 250°F (up to 850°F with special coil)
Max. Operating Pressure	up to 6,170 psi (end fitting dependent)
End Connections	Between customer specified flanges
Turndown	10:1

Meter Materials of Construction

Body	316 stainless steel
Rotor	416 stainless steel (CD4MCu)
Rotor Supports	316 stainless steel
Rotor Shaft	Tungsten carbide
Sleeve Bearings	Tungsten carbide

TQ Series Wafer Style Turbine Flow Meter

Meter Data - Sizes

Part Number	Port Size & Specs	Pressure Rating (PSI)
TQ-1-3	3/8" x 1" (.35-3 GPM) (+/-2% accuracy) Mates to 1" RF flanges, Meter body is 4" face to face, with Mag-Pickup	6000
TQ-2-3	3/8" x 2" (.35-3 GPM) (+/-2% accuracy) with Mag-Pickup	6000
TQ-1-7.5	1/2" x 1" (.75-7.5 GPM) Mates to 1" RF flanges, Meter body is 4" face to face, with Mag-Pickup	6000
TQ-2-7.5	1/2" x 2" (.75-7.5 GPM) with Mag-Pickup	6000
TQ-1-15	3/4" x 1" (2-15 GPM) Mates to 1" RF Flanges, Meter Body is 4" face to face, with Mag-Pickup	6000
TQ-2-15	3/4" x 2" (2-15 GPM) with Mag-Pickup	6000
TQ-1-30	7/8" x 1" (3-30 GPM) Mates to 1" RF Flanges, Meter Body is 4" face to face, with Mag-Pickup	6000
TQ-2-30	7/8" x 2" (3-30 GPM) with Mag-Pickup	6000
TQ-1-50	1" (5-50 GPM) Mates to 1" RF Flanges, Meter Body is 4" face to face, with Mag-Pickup	6000
TQ-2-50	1" x 2" (5-50 GPM) with magnetic pickup	6000
TQ-3-50	1" x 3" (5-50 GPM) with magnetic pickup	6000
TQ-3-50-5	1" x 3" with a 4.25 OAL (5-50 GPM)	6000
TQ-4-50	1" x 4" (5-50 GPM) with magnetic pickup	6000
TQ-4-50-5	1" x 4" with 5" OAL (5-50 GPM) with magnetic pickup	6000
TQ-2-180	1-1/2" x 2" (15-180 GPM) with magnetic pickup	6000
TQ-3-180	1-1/2" x 3" (15-180 GPM) with Magnetic Pickup	6000
TQ-3-180-4.25	1-1/2" x 3" with a 4.25 OAL (15-180 GPM) with Magnetic Pickup	6000
TQ-4-180	1-1/2" x 4" (15-180 GPM) with Magnetic Pickup	6000
TQ-4-180-5	1-1/2" x 4" (15-180 GPM) with Magnetic Pickup with 5" OAL	6000
TQ-2-400	2" x 2" (40-400 GPM) with Mag-Pickup	6000
TQ-3-400	2" x 3" (40-400 GPM) with Mag-Pickup	6000
TQ-3-400-4.25	2" x 3" (40-400 GPM) with 4.25" OAL, with Mag-Pickup	6170
TQ-4-400	2" x 4" (40-400 GPM) with Mag-Pickup	6000
TQ-4-400-5	2" x 4" (40-400 GPM) with Mag-Pickup 5" OAL	6170
TQ-3-600	3" x 3" (60-600 GPM) with Mag-Pickup	3700
TQ-4-600	3" x 4" (60-600 GPM) with Mag-Pickup	6000
TQ-4-600-5	3" x 4" (60-600 GPM) with 5" OAL, with Mag-Pickup	6170
TQ-4-1200	4" x 4" (120-1200 GPM) with Mag-Pickup	6000
TQ-6-2500	6" x 6" (250-2500 GPM) with Mag-Pickup	6000
TQ-8-3500	8" x 8" (350-3500 GPM) with Mag-Pickup	6000
TQ-10-5500	10" x 10" (550-5500 GPM) with Mag-Pickup	6000

Compatible Electronics

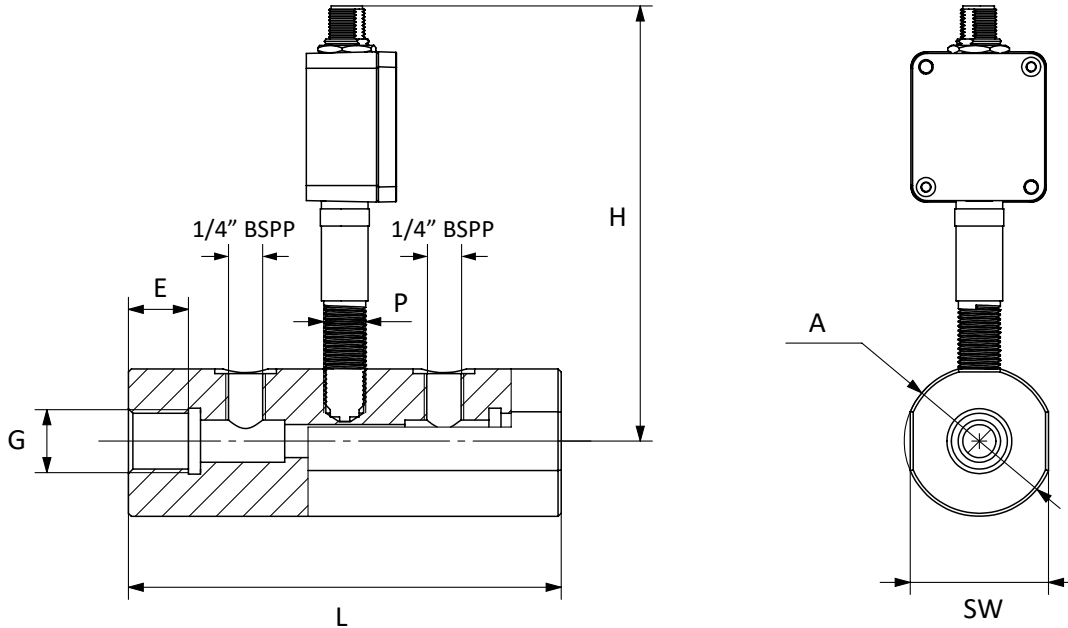
Standard (included)	Pulse output
EDGE Sensor	Pulse, analog, or Modbus outputs
Digital Display	EX rated, flow rate & total, analog and pulse outputs

Products may be subject to change without notice. Contact factory for the most up-to-date product information.



TQ Series Wafer Style Turbine Flow Meter

Meter / Sensor Dimensions



Part Number	ØA	E	G	H*	L	P	SW
HM 007 U	1.95" (49.5mm)	.63" (16mm)	1/4" BSPP	1.86" (47.3mm)	4.61" (117mm)	M14x1.5	1.81" (46mm)
HM 011 U	1.97" (50mm)	.79" (20mm)	1/2" BSPP	1.93" (49mm)	5.67" (144mm)	M14x1.5	1.81" (46mm)
HM 022 U	2.54" (64.5mm)	1.4" (35.5mm)	1-1/4" BSPP	2.51" (63.8mm)	6.1" (155mm)	M14x1.5	2.36" (60mm)
HM 030 U	2.54" (64.5mm)	1.38" (35mm)	1-1/2" BSPP	2.51" (63.8mm)	7.13" (181mm)	M14x1.5	2.36" (60mm)

End-of-Life Disposal:

At the end of its service life, this product and its associated electronics should **not be discarded with municipal solid waste**. We strongly recommend recycling the unit in accordance with **all applicable local, state, and federal regulations**. Electronic components may qualify as universal waste and should be handled through an appropriate recycling or collection program. Responsible recycling supports our commitment to environmental stewardship under **ISO 14001**.

* The specified values result from the dimensions of the respective turbine plus EDGE sensor.