

# TR-QS SERIES - TURBINE FLOW METER

Ideal for high performance flow measurement in aggressive environments, where space is limited and installation needs vary.



## TECHNICAL SPECIFICATIONS

**Measuring Accuracy**  
± 1.0% of reading or better

**Repeatability**  
± 0.1%

**Flow Measuring Range**  
5 to 5,000 GPM (gal/min)  
(per flange rating of install kit)

**Maximum Operating Pressure**  
Refer to ASME/ANSI B16.5-1996

**Maximum Operating Temperature**  
Fluid temperature of -150° to 300°F

**End Connections**  
Wafer-style ASME/ANSI B16.5-1996  
• Threaded, Flange, Galoc & Victaulic

*\*Actual pressure rating depends on installation connection.*

## MATERIALS OF CONSTRUCTION

<b>Body &amp; Rotor Support</b>	316 Stainless Steel
<b>Bearings</b>	Tungsten Carbide
<b>Rotor</b>	Stainless Steel
<b>Rotor Shaft</b>	Tungsten Carbide

## BENEFITS

### Accurate & Repeatable

The TR Series turbine meter is accurate to ±1% of reading with repeatability of better than ±0.1%.

### Smart & Simple Design

Unique design eliminates the need for mating flanges, resulting in lower costs and simplifying installation.

### Space-Saver

Wafer-style mounting configurations for limited space requirements.

### High Performance

This flow meter is made from superior materials of construction for high performance in aggressive environments.

### Improved Accuracy

The modified upstream and downstream flow straighteners allow for a higher accuracy and greater fluid dynamics.

## INSTALLATION KITS

Each kit includes studs, nuts, gaskets and spacer rings.

Size	150#	300#	600#	900#	1500#
1"	TR-1110QS-150	TR-1110QS-300	TR-1110QS-600	TR-1110QS-900	TR-1110QS-1500
2"	TR-1120QS-150	TR-1120QS-300	TR-1120QS-600	TR-1120QS-900	TR-1120QS-1500
3"	TR-1130QS-150	TR-1130QS-300	TR-1130QS-600	TR-1130QS-900	TR-1130QS-1500
4"	TR-1140QS-150	TR-1140QS-300	TR-1140QS-600	TR-1140QS-900	TR-1140QS-1500
6"	TR-1160QS-150	TR-1160QS-300	TR-1160QS-600	TR-1160QS-900	TR-1160QS-1500
8"	TR-1180QS-150	TR-1180QS-300	TR-1180QS-600	TR-1180QS-900	TR-1180QS-1500
10"	TR-1190QS-150	TR-1190QS-300	TR-1190QS-600	TR-1190QS-900	TR-1190QS-1500

# TR-QS SERIES - TURBINE FLOW METER

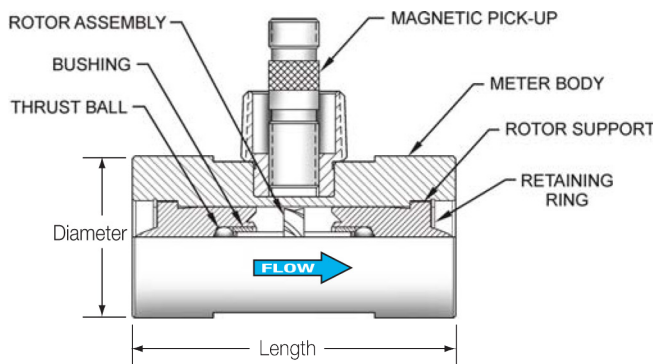
Ideal for high performance flow measurement in aggressive environments, where space is limited and installation needs vary.

## METER SPECIFICATIONS

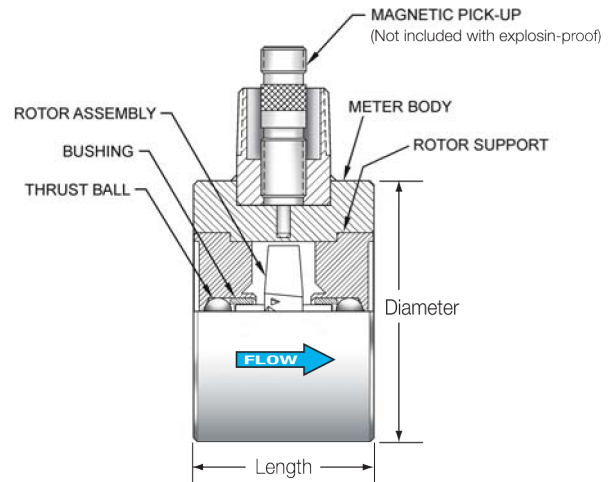
Part Number	Flow Range (Gal/min)	K-Factor * (Pulses/gal)	Bore Size x Line Size	Filtration (micron)	Dimensions (Diam x Lngth)	Repair Kit Part Number
TR-1110QS	5 - 50	870	1" x 1"	250	2" x 4"	TR-112QS
TR-1115QS	5 - 50	870	1" x 2"	250	2" x 4"	consult factory
TR-1118QS	15 - 180	330	1½" x 2"	840	3.62" x 2.5"	consult factory
TR-1120QS	40 - 400	52	2" x 2"	840	3.62" x 2.5"	TR-220QS
TR-1130QS	60 - 600	57	3" x 3"	2000	5" x 4.25"	TR-330QS
TR-1140QS	100 - 1200	29	4" x 4"	2000	6.18" x 5"	TR-440QS
TR-1160QS	200 - 2500	7	6" x 6"	4500	8.5" x 5.75"	TR-660QS
TR-1180QS	350 - 3500	3	8" x 8"	4500	10.62" x 6.25"	TR-880QS
TR-1190QS	500 - 5000	1.6	10" x 10"	4500	12.75" x 6.75"	TR-990QS

\*K-Factors given are averaged. A calibration sheet accompanies every meter sold.

Model TR1110QS only



Model TR1120QS through TR1190QS



Products may be subject to change without notice - Contact factory for the most up-to-date product information.