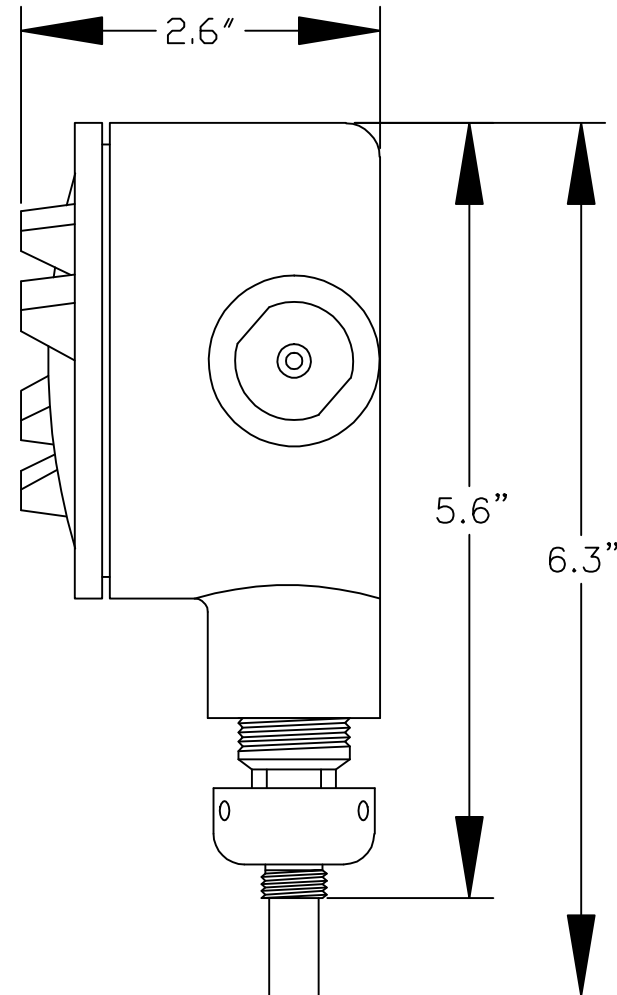
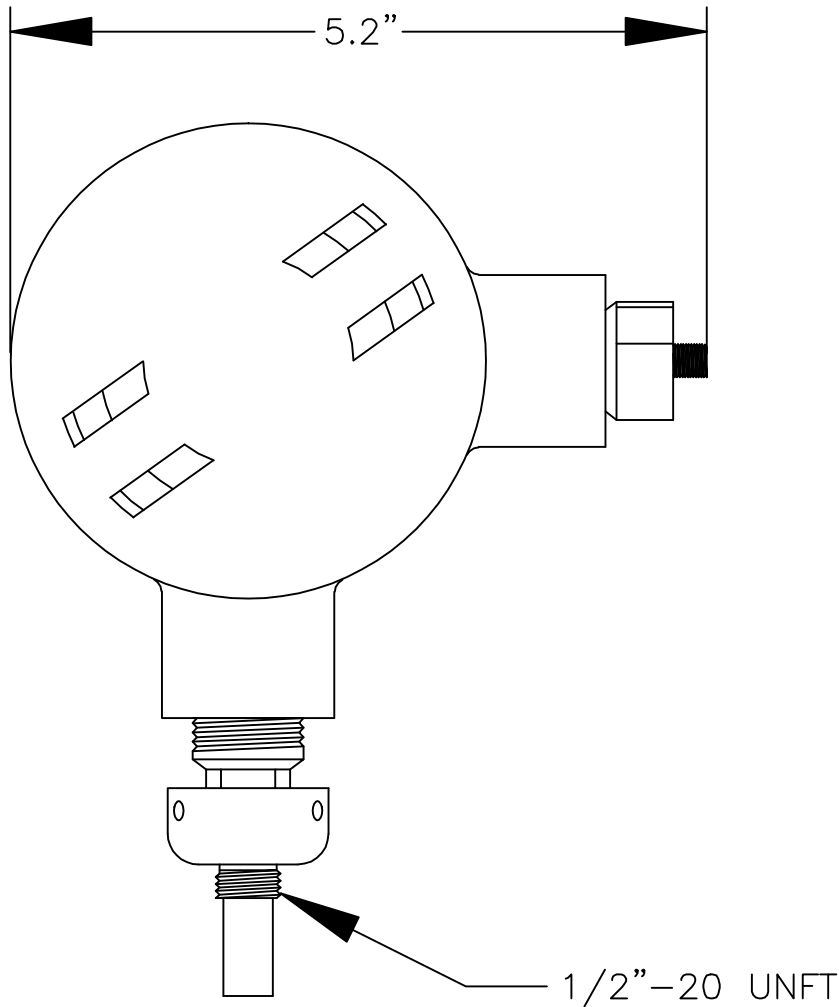



# FOP-20 DIMENSIONS

REV	DESCRIPTION	DATE	APPR. BY
A	INITIAL RELEASE	08-18-93	A.W.
B	UPDATED TITLE	09-05-95	A.W.
C	REVISED COMPANY LOGO	01-06-12	JP



THIS PRINT, INCLUDING THE INFORMATION CONTAINED IN IT, IS THE PROPERTY OF AW-LAKE COMPANY. IT IS CONSIDERED PROPRIETARY IN NATURE AND MAY NOT BE USED OR DISCLOSED OUTSIDE OF AW-LAKE COMPANY, EXCEPT UNDER PRIOR WRITTEN AGREEMENT. ANY MODIFICATIONS MADE TO OR COMMENTS WRITTEN ON THIS DRAWING BY UNAUTHORIZED PERSONNEL WILL VOID THIS DRAWING. ALL DIMENSIONS SHOWN ARE SUBJECT TO CHANGE WITHOUT NOTICE.

		2440 W. Corporate Preserve Dr. #600 Oak Creek, WI 53154 Phone: 414.574.4300 Fax: 414.574.4301	
TITLE: FOP-20 DIMENSIONS			
DRAWING NUMBER: FOP2503		PART NUMBER: N/A	
DATE: 09-05-95	REV: C	DRAWN BY: GUS SKIAKER	
CHECKED BY: G.S.	PAGE 1 OF 1	SCALE: NONE	