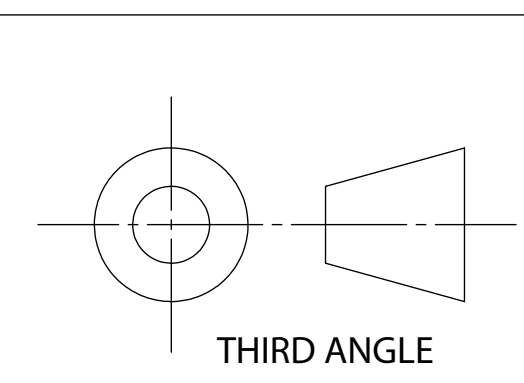


NOTE:
DIMENSIONS SHOWN ARE FOR REFERENCE PURPOSES ONLY

REV.	DESCRIPTION	DATE	APPROVED
	REVISIONS		

AW-LAKE COMPANY USE ONLY

THIS PRINT, INCLUDING THE INFORMATION CONTAINED IN IT IS THE PROPERTY OF AW-LAKE COMPANY. IT IS CONSIDERED PROPRIETARY IN NATURE AND MAY NOT BE USED OR DISCLOSED OUTSIDE OF AW-LAKE COMPANY, EXCEPT UNDER PRIOR WRITTEN AGREEMENT. ANY MODIFICATIONS MADE TO OR COMMENTS WRITTEN ON THIS DRAWING BY UNAUTHORIZED PERSONNEL WILL VOID THIS DRAWING. ALL DIMENSIONS SHOWN ARE SUBJECT TO CHANGE WITHOUT NOTICE.



PROJECT NAME:	RT-30-EX
PART DESCRIPTION:	RT-30-EX WITH HUB-40
MATERIAL:	
FINISH:	
HARDENING :	
DRAWING NUMBER:	Assembly - RT-30Ex
PART NUMBER :	REV: A
DRAWN BY:	JPOQUETTE DATE: 10/10/2011
PAGE: 1 OF 2	SCALE: 1.25:1

