

VTxx/P SENSOR

INSTALLATION GUIDE:

BACK THE LOCK NUT UP TOWARDS THE AMPLIFIER HOUSING.
SCREW IN THE SENSOR BY HAND UNTIL IT TOUCHES
BOTTOM, THEN BACK OFF 1/4 TURN AND TIGHTEN
THE LOCK NUT.

TECHNICAL DATA:

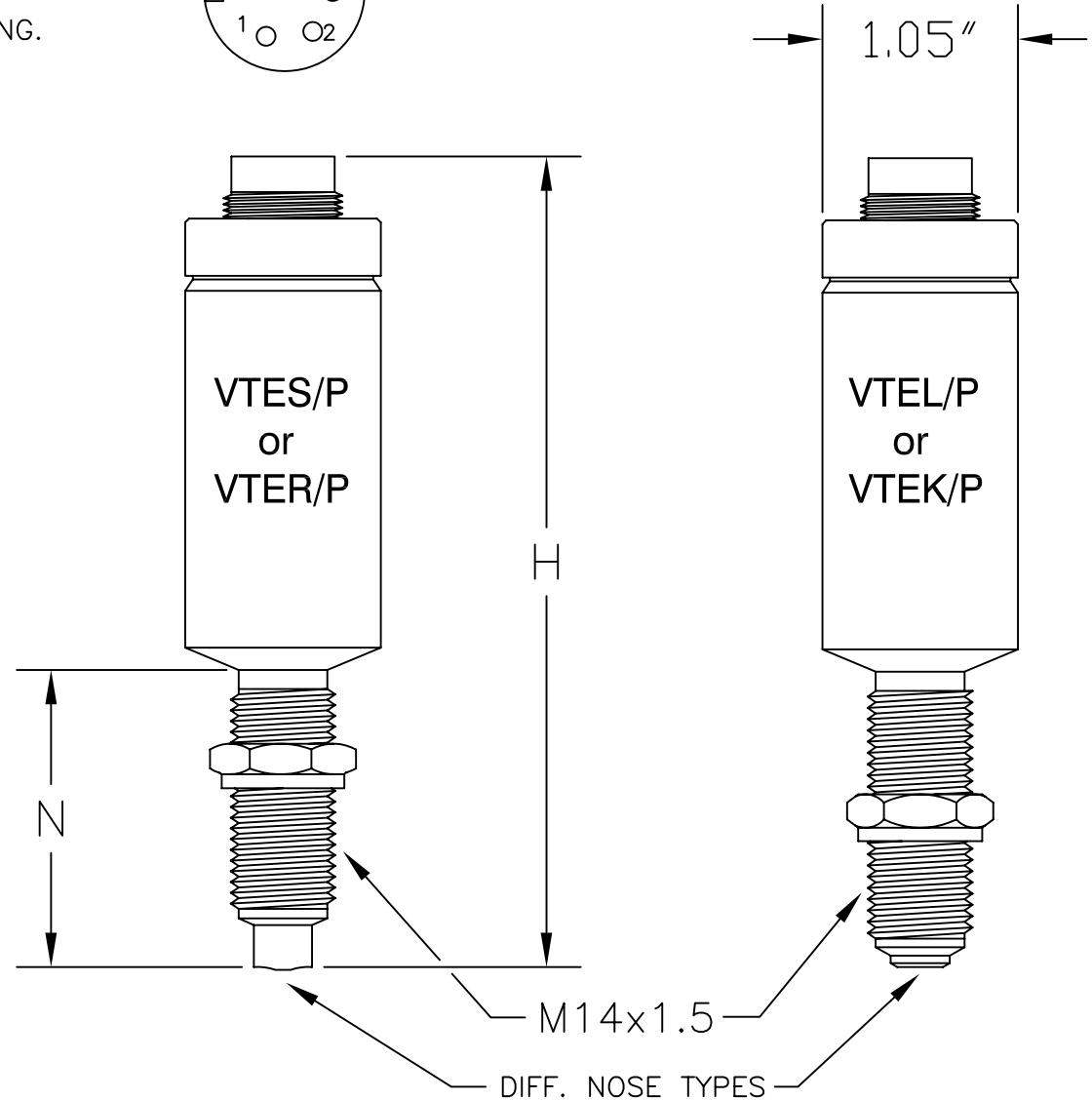
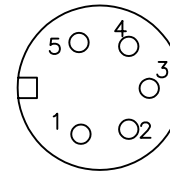
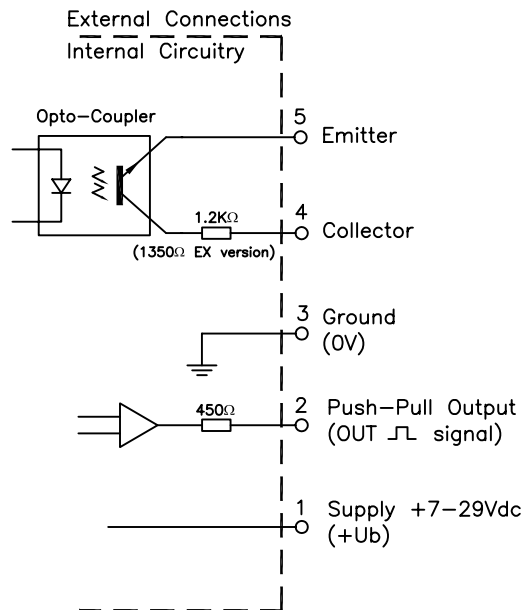
SUPPLY VOLTAGE....+7-29VDC
SUPPLY CURRENT....

MAX FLUID TEMPERATURE:

+248°F FOR VTER/P AND VTEK/P
+302°F FOR VTEL/P AND VTES/P

DIMENSIONS:

H = 4.33in (VTEK/P and VTER/P),
5.87in (VTEL/P and VTES/P)
N = 1.63in (VTEK/P and VTER/P)
3.17in (VTEL/P and VTES/P)
∅ = 1.05in



PURCHASED PART DRAWING

THIS PRINT, INCLUDING THE INFORMATION CONTAINED IN IT, IS THE PROPERTY OF AW-LAKE COMPANY. IT IS CONSIDERED PROPRIETARY IN NATURE AND MAY NOT BE USED OR DISCLOSED OUTSIDE OF AW-LAKE COMPANY, EXCEPT UNDER PRIOR WRITTEN AGREEMENT. ANY MODIFICATIONS MADE TO OR COMMENTS WRITTEN ON THIS DRAWING BY UNAUTHORIZED PERSONNEL WILL VOID THIS DRAWING. ALL DIMENSIONS SHOWN ARE SUBJECT TO CHANGE WITHOUT NOTICE.



AW-LAKE
COMPANY

2440 W. Corporate Preserve Dr. #600
Oak Creek WI 53154
Phone: 414.574.4300
Fax: 414.574.4301

TITLE: VTxx/P PICKUP SENSOR

DRAWING NUMBER: VTER700C

PART NUMBER: —

DATE: 08-28-01

REVI: C

DRAWN BY:

SHANE WILSON

CHECKED BY: C.H.

PAGE 1

OF 1

SCALE: NONE