

# HUB-40 FLOW SENSOR

Ideal for any industry or flow measurement application where a non-hazardous sensor is required, such as in hydraulic systems.



## FEATURES

- Square wave output signal has a duty cycle of approximately 50%.
- For use with most meter sizes of the following AW-Lake flow meters:
  - JVM-xxx gear meters
  - JVS-xxx gear meters
  - JVHS-xxx gear meters
  - ZHM-xxx gear meters
  - HPM-xxx turbine meters
  - HM-xxx turbine meters
  - TRG-xxx turbine meters
  - SRZ-xxx gear meters

## TECHNICAL SPECIFICATIONS

**Supply Voltage**  
10-24 VDC

**Supply Current**

- 8 mA @ 12 VDC
- 12 mA @ 24 VDC

**Sensor/Monitor Frequency Output**  
Flow dependent, 0.5 Hz minimum

**Output Amplitude**

- $V_{HIGH} = V_{SUPPLY} - 0.7$  Volts
- $V_{LOW} = 0$  Volts

**Duty Signal**  
50% ± 15%

**Connections Available**

- 3 pin connector
- Flying leads
- Junction box with terminal block
- JST Connector

**Temperature Ratings**

- -20 to 85°C (-4 to 140°F)

## BENEFITS

### Up and Running in Minutes

Easy thread-in installation. A quick setup procedure allows you to have the sensor working with just a few simple installation steps.

### Flexible Mounting

Because of the integral swivel union, the HUB-40 unit can be rotated 360° for easy wiring. Options available to fit any AW Gear Meter or Turbine Meter.

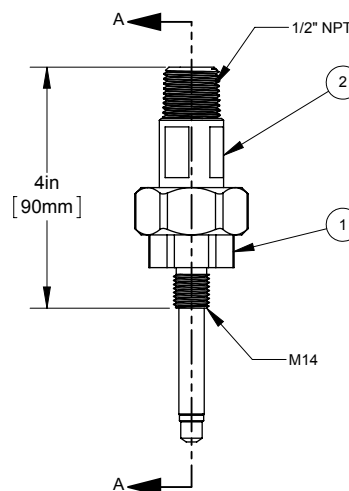
### Weather-Proof Enclosure

Optional NEMA 4X enclosure provides environmental protection from moisture and debris.

### Built-In Protection

The signal outputs are protected by a self-resetting fuse with a 50 mA nominal trip point.

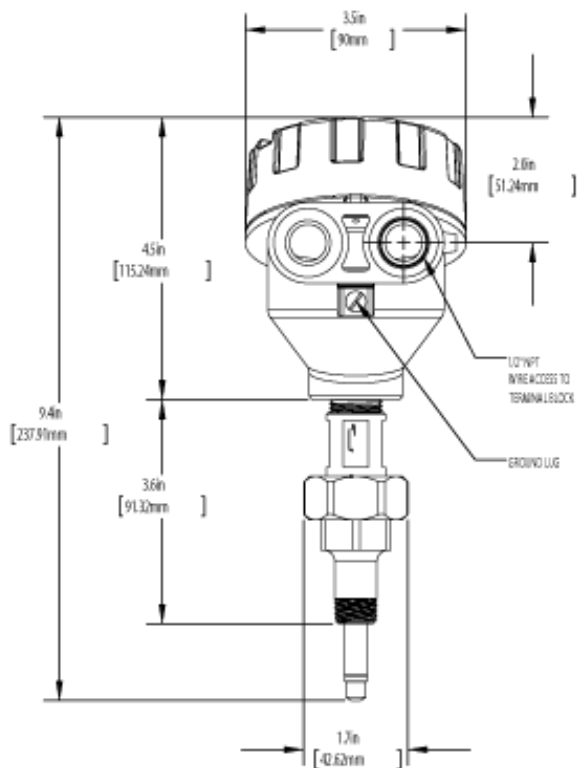
## HUB-40 DIMENSIONS



# HUB-40 - FLOW SENSOR

Ideal for any industry or flow measurement application where a non-hazardous sensor is required, such as in hydraulic systems.

## HUB-40 DIMENSIONS



## PART NUMBER:

HUB-40 SD [ ] - S [ ] - [ ] [ ] - XXXX (SPECIAL CASE, RUNNING NUMBER)

**Junction box options**  
 1 = No junction box\*\*  
 2 = Limatherm Junction Box

**Housing Material**  
 S = 316ss

**Meter side thread type**  
 1 = 3/8" NPT connection  
 5 = M14 connection (for standard meters)

**Sensor type**  
 G = Hall sensor (sinking version)  
 H = Hall sensor (sourcing version)  
 C = Carrier sensor  
 M = Inductive sensor

**Termination**  
 C = Customer connection (only for customer supplied junction box)  
 1 = Terminal block (only choice for Limatherm junction box version)  
 2 = Flying leads\*\*\*  
 3 = Leads w/JST male connector\*\*\*  
 4 = 3 pin connector

\*\* JUNCTION BOX NOT SUPPLIED BY AW-LAKE OR CUSTOMER MAY BE ATTACHED REFER TO USER MANUAL.  
 \*\*\*SPECIFY WIRE LENGTH (INCHES)

Products may be subject to change without notice - Contact factory for the most up-to-date product information.

