

# NJECT – CHEMICAL INJECTION FLOW METER

Specifically Designed for Chemical Injection Applications in Onshore Oil Fields.



## TECHNICAL SPECIFICATIONS

**Measuring Accuracy**  
± 0.5%

**Repeatability**  
± 0.1%

**Duty Cycle**  
Works with standard injection pumps from 50 to 200 gallons/day

**Maximum Operating Pressure**  
Up to 2,500 psi (172 bar)\*

\*Consult factory for other pressures.

**Fluid Temperature Range**  
-40 to 175°F

**Resolution**  
100,000 pulses/gal

**Ports**  
1/4" female NPT

**Weight**  
3.9 lbs

**Filtration**  
120 microns, 120 mesh

## BENEFITS

### Assured Accuracy

Each flow meter is individually calibrated and shipped with a calibration certificate.

### Sealed Electronics

Completely sealed integral sensor keeps electronics safe from environmental forces.

### Economic Low Flow Meter

The meter produces good resolution and high accuracy at low flow rates, offering an affordable option for onshore chemical injection applications.

### Rugged Construction

The sturdy 316 stainless steel construction of this gear meter provides superior corrosion resistance and a longer service life.

### Fast Response Time

This meter can handle short pump shot times (<1 sec) and remain accurate.

## MATERIALS OF CONSTRUCTION

<b>Body</b>	316L Stainless Steel
<b>Gears</b>	Stainless Steel
<b>Bearing &amp; Shaft</b>	Tungsten Carbide
<b>O-Ring</b>	PTFE
<b>Bolts</b>	316 Stainless Steel
<b>Cable Gland</b>	Stainless Steel

## INTEGRAL SENSOR

**Supply Voltage**  
8 to 30 V DC, regulated

**Frequency Range**  
2 to 1,000 Hz

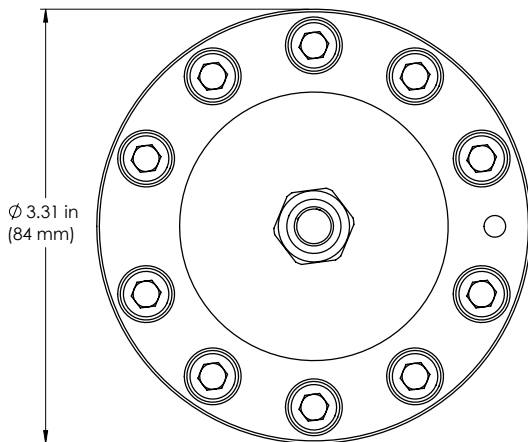
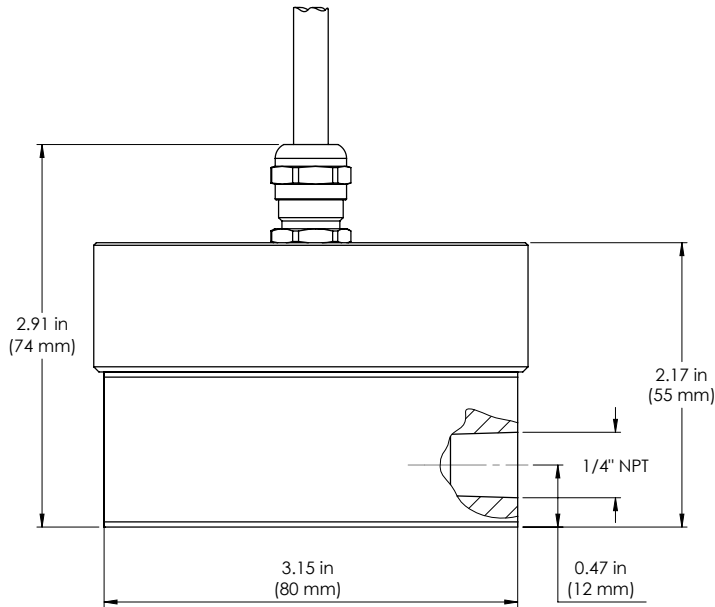
**Electrical Connection**  
Shielded 10-foot PVC cable with flying leads for easy hookup

**Protection Class**  
IP 67

# NJECT – CHEMICAL INJECTION FLOW METER

Specifically Designed for Chemical Injection Applications in Onshore Oil Fields.

## METER DIMENSIONS

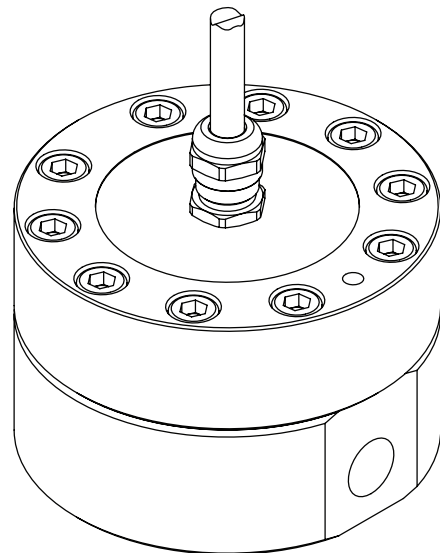


## DUTY CYCLE LOOKUP CHART SAMPLE

Minimum Instantaneous Flow Rate: 5 gal/day

Pump Speed: 100 gal/day

Dosing Rate (gal/day)	Duty Cycle	Run Time (seconds/min)
0.1	0%	0.06
0.5	1%	0.3
1	1%	0.6
2	2%	1.2
3	3%	1.8
4	4%	2.4
5	5%	3.0



Products may be subject to change without notice - Contact factory for the most up-to-date product information.