

# RT-50 BATTERY-POWERED FLOW RATE TRANSMITTER

Ideal for any industry or flow measurement application where a local rate and total display is required and in locations where equipment is exposed to the elements.



## APPLICATIONS

The RT-50 flow display from AW-Lake features an easy-to-read backlit LCD display. With a list style menu and quick access buttons, programming is quick and easy. Flow sensor is rotatable for mounting in multiple directions. The unit's battery can provide power for over 2 years of continuous 24-hour use. The battery pack is field replaceable with no tools required. The RT-50 is compatible with most AW-Lake flow meters, as well as off-branded flow meters.

## FEATURES

- Bluetooth connectivity for easy setup and monitoring from a smart phone or tablet
- Backlit LCD display updates every 25 milliseconds
- Resettable Total and Grand Total
- Quick menu navigation
- Flow filtering
- Real time clock
- Contract time
- 10-point Linearization

## TECHNICAL SPECIFICATIONS

### Flow Meter Compatibility

JV series positive displacement gear meters and TRG, TR and TW turbine meters.

### Power

3.6V "C" cell battery, field replaceable; 3-year continuous use estimated average life, depending on options enabled.

### Backup Battery

Lithium coin battery 3V. (CR2032)  
Stores user data and time when battery is disconnected.

### Response Time

25 mS response, frequency dependent.

### Temperature Rating

-4 to 140°F (-20 to 60°C) ambient,  
175°F (80°C) maximum fluid temp.

### Input Options

Inductive and Carrier frequency sensors

### Setup Options

- Local display
- Computer connection (cable shown below)
- Mobile app through Bluetooth connection

## BENEFITS

### Up and Running in Minutes

Put in a K-factor from the calibration sheet, select your units of measure, and observe accurate flow readings.

### Bluetooth Connectivity

Use your smart phone to monitor real-time flow valves from a distance or to program and change settings.

### Extended Battery Life

Battery will last over 2 years with continuous use and saves power when not in use. It is also easily changeable in the field with no tools required.

### Multiple Engineering Units

The RT-50 has 8 different selectable engineering units with no conversions to K-factors.

## ACCESSORIES

### Cables

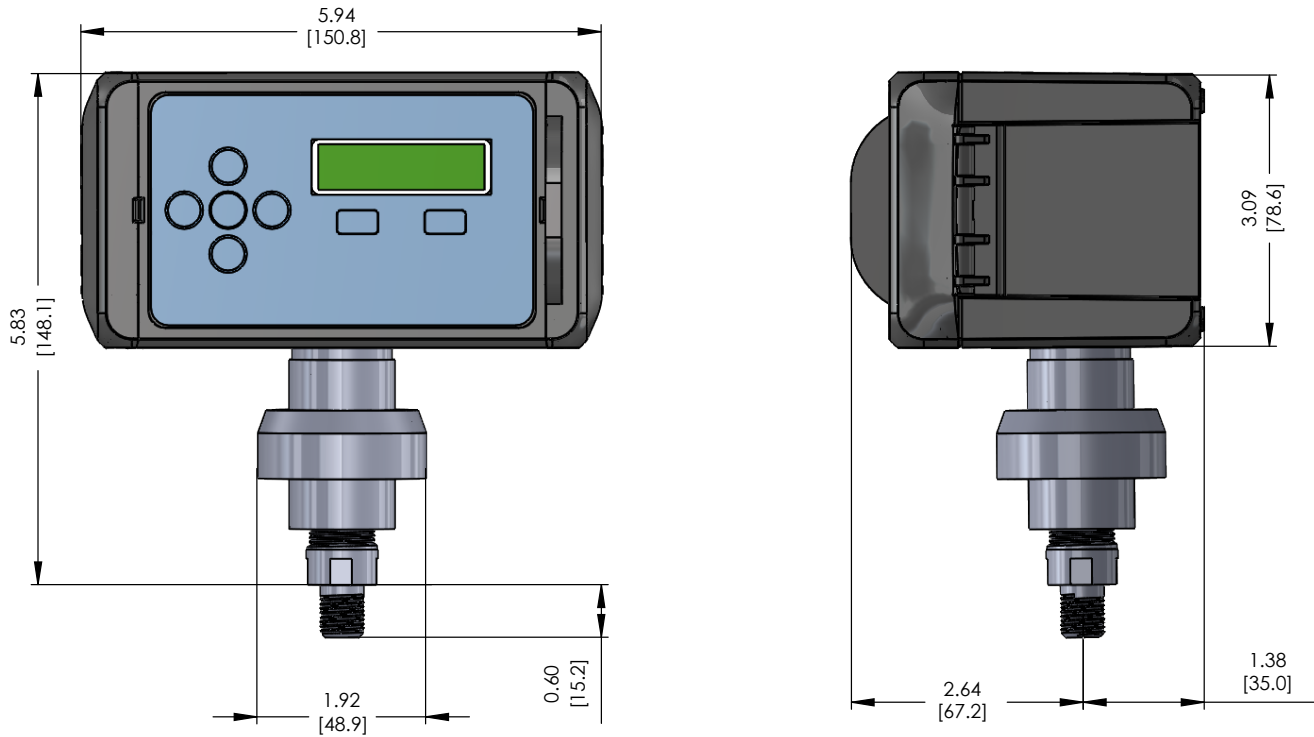
#### USB-SERIAL-4PIN

Used to connect unit to a PC to access the Toolkit for programming and setup.

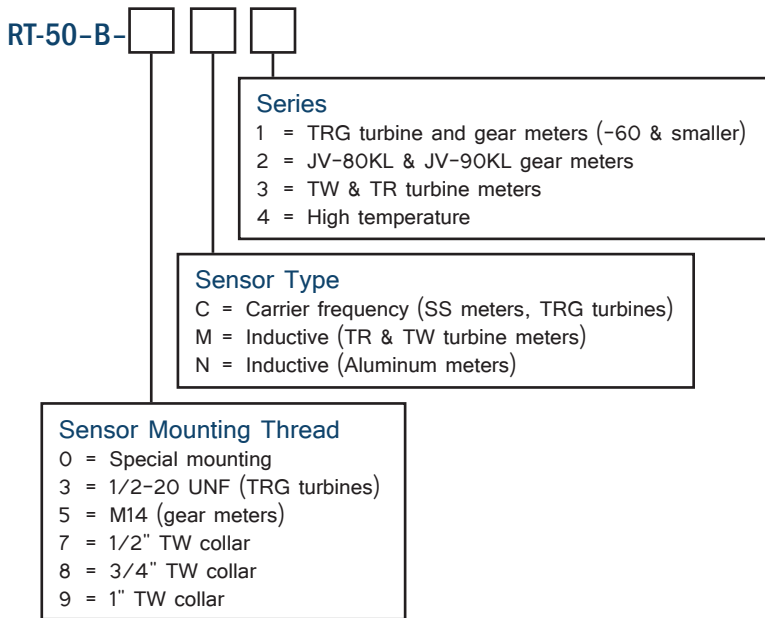
# RT-50 BATTERY-POWERED FLOW RATE TRANSMITTER

Ideal for any industry or flow measurement application where a local rate and total display is required and in locations where equipment is exposed to the elements.

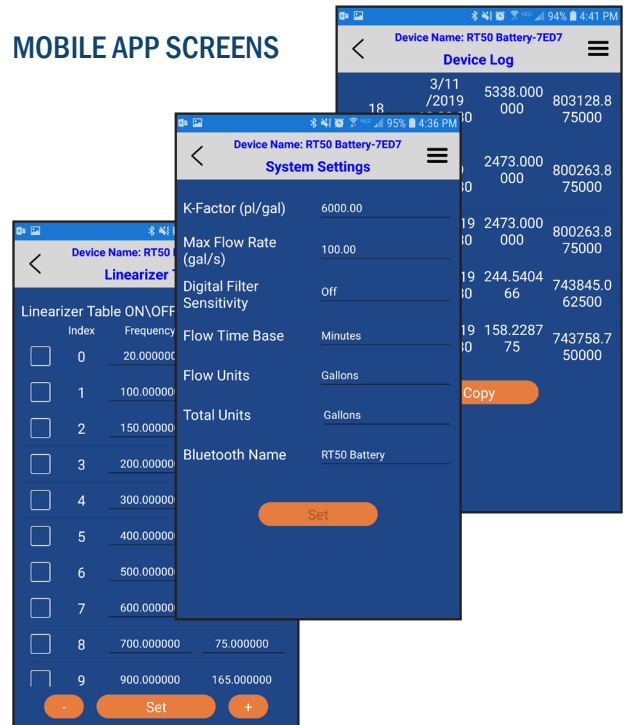
## TRANSMITTER DIMENSIONS



## PART NUMBER GUIDE



## MOBILE APP SCREENS



Products may be subject to change without notice - Contact factory for the most up-to-date product information.