

# THE EDGE FLOW SENSOR – WITH BLUETOOTH

Ideal for use with all AW Gear Meter and Turbine flow meter applications requiring an analog, pulse, or Modbus output.



## BENEFITS

### Streamlined Setup with Bluetooth\*

These pickups are equipped with Bluetooth, making setup and scaling much easier. Setup from the "AWL Mobile Toolkit" application on a mobile device or the AW-Lake Toolkit PC software. You no longer need to walk from the device to your monitoring equipment when fine-tuning your adjustments.

*\*Pulse output version does not come standard with Bluetooth, but can be added.*

### Modbus Interface

With Modbus option, users can pull key parameter values via digital serial interface.

### Linearizer

To improve output accuracy with some flow meters which are non-linear, a 10-point linearization table can be utilized through the Bluetooth app and PC Toolkit.

### Wireless Hand-Held Display

Using the Bluetooth mobile app on your phone, you have a wireless flow monitor in your hand!

### Easy Interface Verification

With the ability to force the sensor to output a frequency or analog signal, proper connection to user interface can be verified without need to run fluid flow.

## APPLICATIONS

The EDGE Flow Sensor is ideal in general applications when sending an analog, pulse or modbus signal to a PLC or other control system.

## FEATURES

- Analog output signal defaults to 4–20mA and 0–10V (0–5V, 1–5V & 2–10V selectable through PC Toolkit or "AWL Mobile Toolkit" mobile app)
- Frequency output to 5KHz, flow dependent
- Modbus communication
- Excellent linearity, high temperature stability and long-term stability
- Powered by 12–24VDC
- 16-bit analog output resolution
- Bluetooth enabled for wireless setup from a mobile device (can be disabled by factory)
- Password protected Bluetooth communication
- Connect sensor to PC via standard USB-C cable
- Firmware can be updated by users via the PC Toolkit

## TECHNICAL SPECIFICATIONS

### Supply Voltage Range

12–24VDC  $\pm 10\%$   
Max current draw 40–100mA  
(model-specific, contact factory)

### Analog Output Options

4–20mA & 0–10V – Default  
0–5V, 1–5V & 2–10V – Available  
through PC Toolkit or mobile app

### Standard Max Output

+2.5% of max scaling (20.5mA/5.125V  
/10.25V)

### Error Indication

+10% of max scaling (22mA/5.5V/11V)

### Analog Output Resolution

16 bit

### Analog Output Update Time

100mSec minimum

### Ambient Temperature

-40°F to 185°F (-40°C to 85°C)

### Pulse/Frequency Output:

Push/Pull output – default  
Sinking or Sourcing optional.  
Easy setup through PC Toolkit.

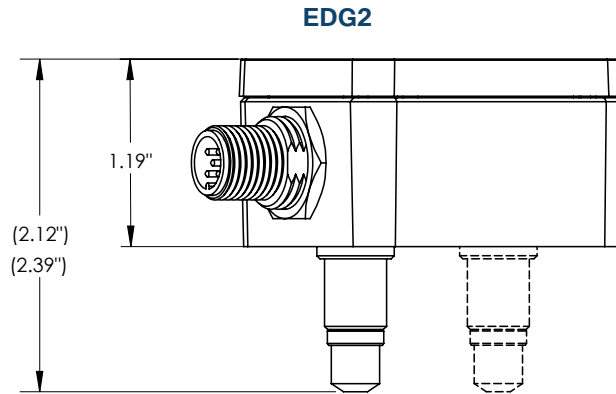
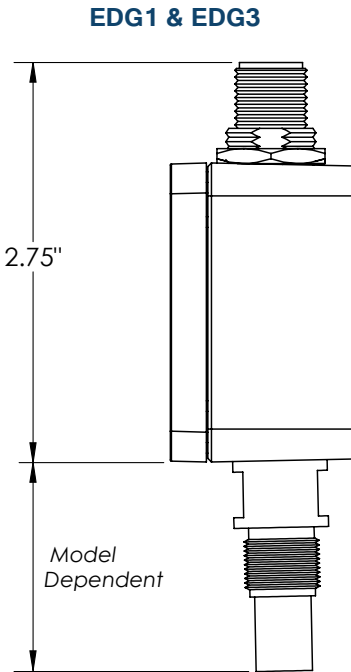
## MATERIALS OF CONSTRUCTION

Housing	Anodized Aluminum
Pickup	303ss body w/ Zytel cap
Seal	Buna-N

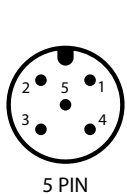
# THE EDGE FLOW SENSOR – WITH BLUETOOTH

Ideal for use with all AW Gear Meter and Turbine flow meter applications requiring an analog, pulse, or Modbus output.

## DIMENSIONS



## INDUSTRY STANDARD M12-A CONNECTORS

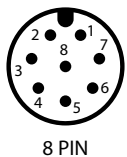


### PULSE OUTPUT

- 1: 12-24VDC
- 2: GROUND
- 3: FREQ OUT 1
- 4: FREQ OUT 2
- 5: N/C

### ANALOG + PULSE

- 1: 12-24VDC
- 2: GROUND
- 3: mA OUT
- 4: V OUT
- 5: FREQ OUT 1



### ANALOG + PULSE + MODBUS

- 1: 12-24VDC
- 2: GROUND
- 3: FREQ OUT 1
- 4: FREQ OUT 2
- 5: mA OUT
- 6: V OUT
- 7: MODBUS +
- 8: MODBUS -

## MOBILE TOOLKIT APP

**EDGE Sensor-03B3 System Settings**

- K-Factor (pl/gal) 1.00
- Digital Filter Sensitivity Off
- Flow Units Gallons
- Flow Time Base Minutes
- Max Flow Rate (gal/min) 5000.00
- Max Flow Units Gallons
- Max Flow Time Base Minutes
- Total Units Gallons
- Bluetooth Name EDGE Sensor

**EDGE Sensor-03B3**

- Flow Rate 0.00
- Voltage Output 0.00
- Current Output 4.00
- Total 14.00 gal
- Grand Total 1594.00 gal

**EDGE Sensor-03B3**

- System Settings
- Output Settings
- Output Calibration
- Limits Setup
- Linearizer Table
- Diagnostics
- About Bluetooth Device
- Factory Reset
- Disconnect
- Exit Application



Products may be subject to change without notice - Contact factory for the most up-to-date product information.



2440 W. Corporate Preserve Dr. #600, Oak Creek, WI 53154 | www.aw-lake.com

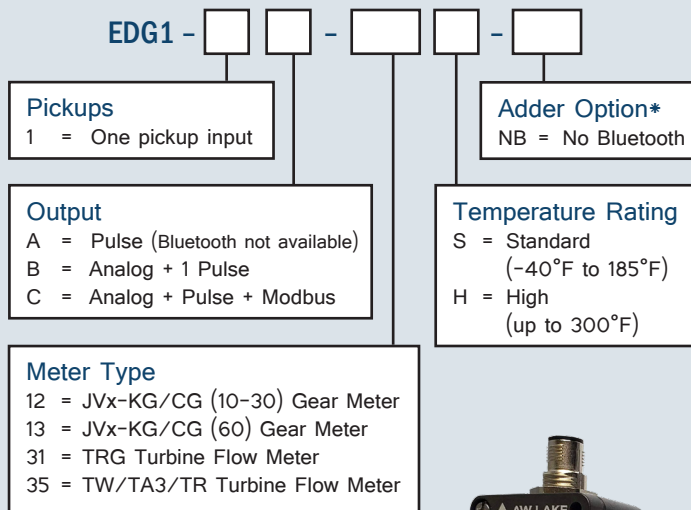
©2020 AW-Lake. All rights reserved. Doc ID: EDGDS20 Rev 9.21.21

# THE EDGE FLOW SENSOR – WITH BLUETOOTH

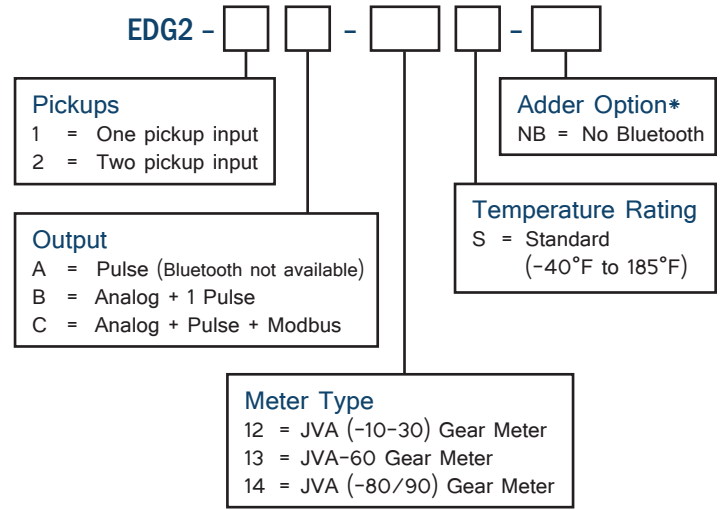
Ideal for use with all AW Gear Meter and Turbine flow meter applications requiring an analog, pulse, or Modbus output.

## PART NUMBER GUIDES

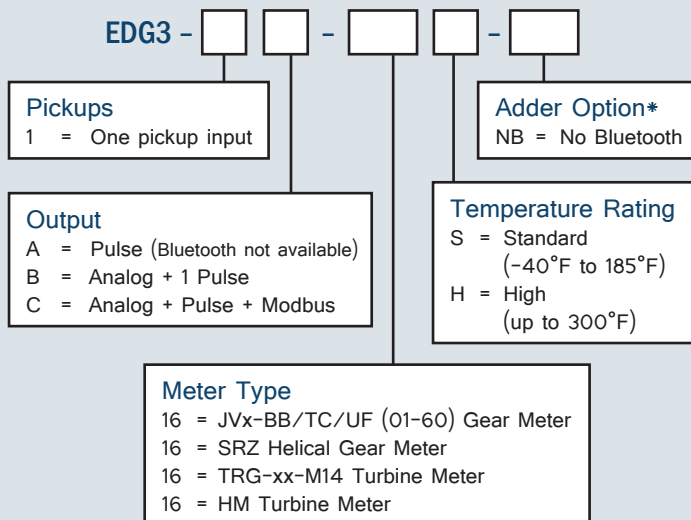
### STANDARD THREAD-IN STYLE



### FLUSH-MOUNT STYLE



### M14 THREAD-IN STYLE



\*Bluetooth can be disabled for an additional charge upon request.  
Products may be subject to change without notice -  
Contact factory for the most up-to-date product information.