

NJECT-05-2500 CHEMICAL INJECTION FLOW METER

Specifically Designed for Chemical Injection Applications in Onshore Oil Fields.



TECHNICAL SPECIFICATIONS

Measuring Accuracy

± 0.5%

Repeatability

± 0.1%

Duty Cycle

Works with standard injection pumps from 50 to 200 gallons/day

Maximum Operating Pressure

Up to 2,500 psi (172 bar)*

*Consult factory for other pressures.

Fluid Temperature Range

-40 to 175°F

Resolution

100,000 pulses/gal

Ports

1/4" female NPT

Weight

3.9 lbs

Filtration

120 microns, 120 mesh

BENEFITS

Assured Accuracy

Each flow meter is individually calibrated and shipped with a calibration certificate.

Sealed Electronics

Completely sealed integral sensor keeps electronics safe from environmental forces.

Economic Low Flow Meter

The meter produces good resolution and high accuracy at low flow rates, offering an affordable option for onshore chemical injection applications.

Rugged Construction

The sturdy 316 stainless steel construction of this gear meter provides superior corrosion resistance and a longer service life.

Fast Response Time

This meter can handle short pump shot times (<1 sec) and remain accurate.

MATERIALS OF CONSTRUCTION

Body	316L Stainless Steel
Gears	Stainless Steel
Bearing & Shaft	Tungsten Carbide
O-Ring	PTFE
Bolts	316 Stainless Steel
Cable Gland	Stainless Steel

INTEGRAL SENSOR

Supply Voltage

8 to 30 V DC, regulated

Frequency Range

2 to 1,000 Hz

Electrical Connection

Shielded 10-foot PVC cable with flying leads for easy hookup

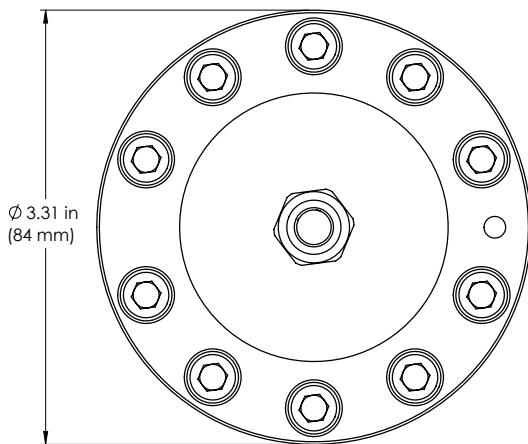
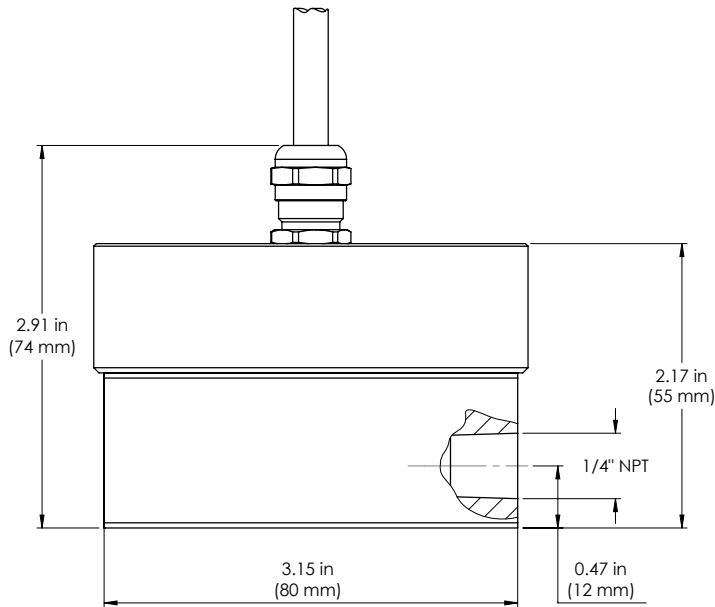
Protection Class

IP 67

NJECT-05-2500 CHEMICAL INJECTION FLOW METER

Specifically Designed for Chemical Injection Applications in Onshore Oil Fields.

METER DIMENSIONS

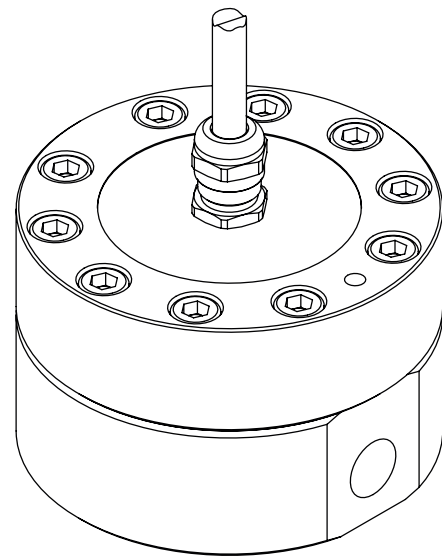


DUTY CYCLE LOOKUP CHART SAMPLE

Minimum Instantaneous Flow Rate: 5 gal/day

Pump Speed: 100 gal/day

Dosing Rate (gal/day)	Duty Cycle	Run Time (seconds/min)
0.1	0%	0.06
0.5	1%	0.3
1	1%	0.6
2	2%	1.2
3	3%	1.8
4	4%	2.4
5	5%	3.0



Products may be subject to change without notice - Contact factory for the most up-to-date product information.