

# JV-TC Positive Displacement Gear Flow Meter

## Common Uses

JV-TC positive displacement flow meters build upon our 40+ years of excellence in measuring non-lubricating and filled fluids by improving gear/shaft design, increasing pressure ratings, and improving flushability. These improvements, along with the standard 7-point calibration and new EDGE sensor give you a 0.5% accurate meter across the full flow range. Practical applications include:

- Filling and dosing systems
- Paint shops and delivery systems
- Polyurethane systems
- Multiple-component mixing systems
- Adhesive dispensing systems
- Hydraulic systems



## Technical Specifications

5 Flow Ranges	0.001 to 20 gpm (across all meter sizes)
Measuring Accuracy	±0.5% over full range with 30cP fluid, ±0.25% optional with select sensors
Repeatability	± 0.1%
Max. Operating Pressure	up to 6,000 psi
Ports	NPT standard, BSPP & bottom manifold mount optional
Turndown	up to 400:1
Calibration	7-point logarithmic calibration

## Materials of Construction

Body	JVM = 303 Stainless Steel or JVS = 316L Stainless Steel
Gears	Stainless Steel (DIN 1.4122)
O-Ring	FKM, FFKM, or PTFE
Bearings & Shafts	Tungsten Carbide
Bolts	Zinc Flake Coated Carbon Steel (Inconel 718 optional)

## Output Options

Choose from a wide variety of pickups, sensors, monitors, and controllers to pair with your gear meter:

- Frequency
- Analog (voltage or 4-20mA)
- Battery, loop, or DC powered displays

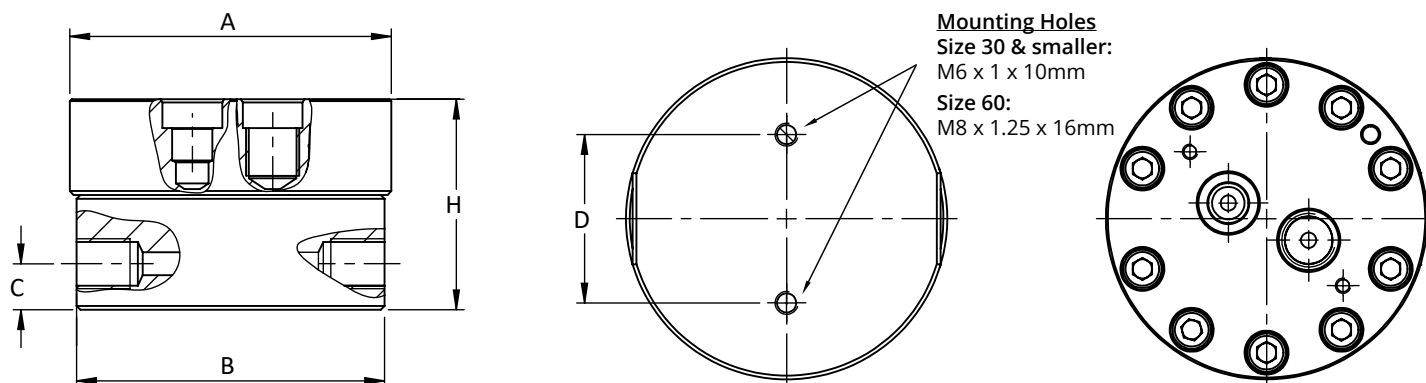
# JV-TC Positive-Displacement Gear Flow Meter

## Meter Data

Meter Size	Flow Range			Resolution*		Ports	Filtration (microns)	Pressure (psi/bar)
	(GPM)	(LPM)	(Gal/Day)	(Impulses/Gal)	(Impulses/CC)			
JV#-10TC	0.001-0.5	0.004-1.9	1.4-720	200,600	53.0	1/4" NPT	120	6,000/420
JV#-12TC	0.005-0.8	0.02-3.0	7.2-1152	106,000	28.0	1/4" NPT	120	6,000/420
JV#-20TC	0.02-2.0	0.08-7.6	28.8-2880	31,800	8.4	1/4" NPT	120	6,000/420
JV#-30TC	0.1-7.0	0.38-26.5	144-10,080	13,200	3.5	1/2" NPT	120	6,000/420
JV#-60TC	0.1-20.0	0.38-75.7	144-28,800	3,600	0.95	3/4" NPT	200	6,000/420

# - Complete part # by selecting body material as follows: M=303 Stainless Steel, S=316 Stainless Steel, A= Aluminum. \* Figures shown represent resolution when using dual pickup sensor.

## Meter Dimensions

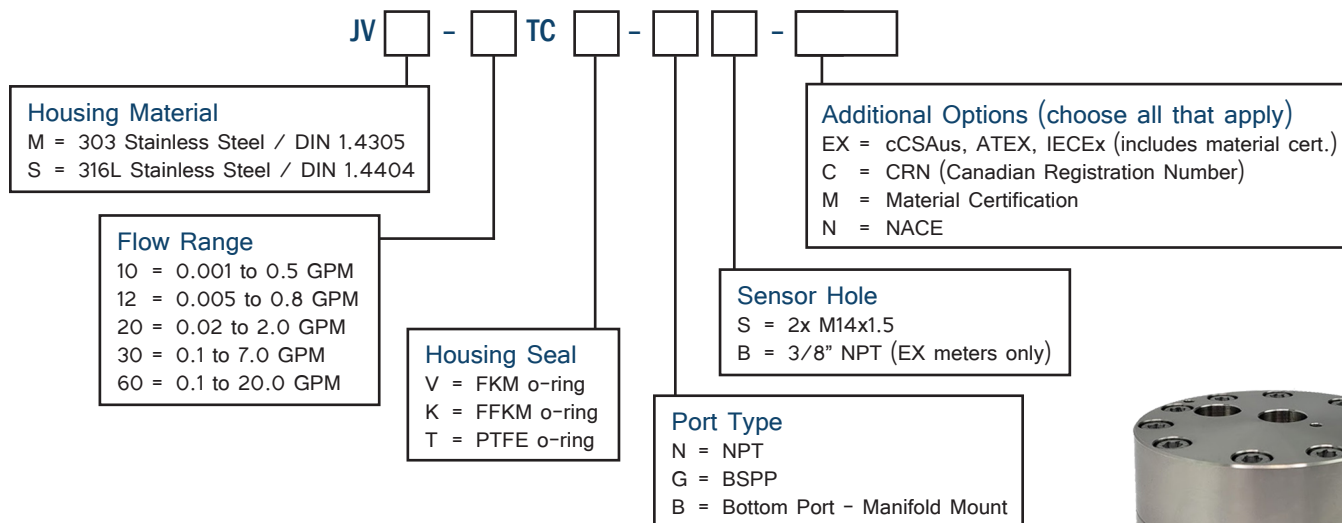


Meter Size	Dimensions					Weights	
	A	B	C	D	H	(Lbs)	(Kg)
JV#-10TC	3.0"	2.9"	0.47"	1.7"	2.2"	2.9	1.3
JV#-12TC	3.0"	2.9"	0.47"	1.7"	2.2"	3.6	1.6
JV#-20TC	3.3"	3.2"	0.47"	1.7"	2.2"	4.9	2.2
JV#-30TC	3.3"	3.2"	0.51"	1.7"	2.7"	6.4	2.9
JV#-60TC	5.0"	4.8"	0.75"	2.4"	4.3"	18.8	8.5

3D STEP Models are available upon request of factory.  
 Products may be subject to change without notice. Contact factory for the most up-to-date product information.

# JV-TC Positive-Displacement Gear Flow Meter

## Part Number Guide



## Electronics Options

AW-Lake offers a wide selection of Sensors/Pickups and Monitors/Controllers to optimize flow measurement and deliver your flow data where you need it and in the format you need it:

- Analog (Voltage & 4-20mA available)
- Frequency
- Modbus®
- HART®
- Bluetooth®
- Electronic Displays (Local & Remote Mount)
- Certified Units (UL, cCSAus, ATEX, IECEx)
- Wireless Monitoring (Radio Frequency)

Refer to website for more information.



Products may be subject to change without notice.  
Contact factory for the most up-to-date product information.