

# JV-TC Positive Displacement Gear Flow Meter

## Common Uses

JV-TC positive displacement flow meters build upon our 40+ years of excellence in measuring non-lubricating and filled fluids by improving gear/shaft design, increasing pressure ratings, and improving flushability. These improvements, along with the standard 7-point calibration and new EDGE sensor give you a 0.5% accurate meter across the full flow range. Practical applications include:

- Filling and dosing systems
- Paint shops and delivery systems
- Polyurethane systems
- Multiple-component mixing systems
- Adhesive dispensing systems
- Hydraulic systems



## Technical Specifications

|                         |  |
|-------------------------|--|
| 5 Flow Ranges           | 0.001 to 20 gpm (across all meter sizes)   |
| Measuring Accuracy      | ±0.5% M.V. over full range with 30cP fluid, ±0.25% M.V. optional with select sensors |
| Repeatability           | ± 0.1%   |
| Max. Operating Pressure | up to 6,000 psi  |
| Ports                   | NPT standard, BSPP & bottom manifold mount optional                                  |
| Turndown                | up to 400:1  |
| Calibration             | 7-point logarithmic calibration  |

## Materials of Construction

|                   |   |
|-------------------|---|
| Body              | JVM = 303 Stainless Steel or JVS = 316L Stainless Steel |
| Gears             | Stainless Steel (DIN 1.4122)                            |
| O-Ring            | FKM, FFKM, or PTFE                                      |
| Bearings & Shafts | Tungsten Carbide  |
| Bolts             | Zinc Flake Coated Carbon Steel (Inconel 718 optional)   |

## Output Options

Choose from a wide variety of pickups, sensors, monitors, and controllers to pair with your gear meter:

- Frequency
- Analog (voltage or 4-20mA)
- Battery, loop, or DC powered displays

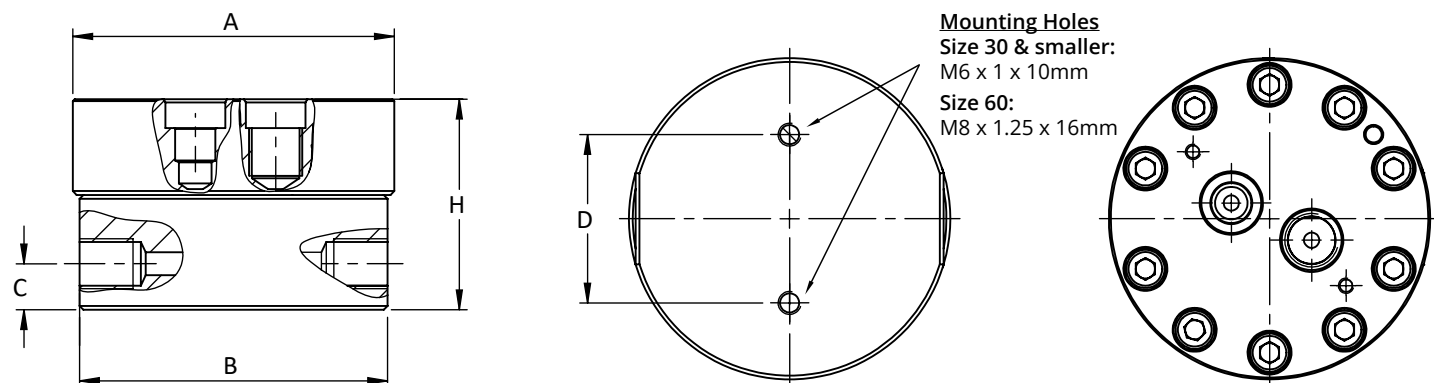
# JV-TC Positive-Displacement Gear Flow Meter

## Meter Data

| Meter Size | Flow Range |           |            | Resolution*    |               | Ports    | Filtration<br>(microns) | Pressure<br>(psi/bar) |
|------------|------------|-----------|------------|----------------|---------------|----------|-------------------------|-----------------------|
|            | (GPM)      | (LPM)     | (Gal/Day)  | (Impulses/Gal) | (Impulses/CC) |          |                         |                       |
| JV#-10TC   | 0.001-0.5  | 0.004-1.9 | 1.4-720    | 200,600        | 53.0          | 1/4" NPT | 120                     | 6,000/420             |
| JV#-12TC   | 0.005-0.8  | 0.02-3.0  | 7.2-1152   | 106,000        | 28.0          | 1/4" NPT | 120                     | 6,000/420             |
| JV#-20TC   | 0.02-2.0   | 0.08-7.6  | 28.8-2880  | 31,800         | 8.4           | 1/4" NPT | 120                     | 6,000/420             |
| JV#-30TC   | 0.1-7.0    | 0.38-26.5 | 144-10,080 | 13,200         | 3.5           | 1/2" NPT | 120                     | 6,000/420             |
| JV#-60TC   | 0.1-20.0   | 0.38-75.7 | 144-28,800 | 3,600          | 0.95          | 3/4" NPT | 200                     | 6,000/420             |

# - Complete part # by selecting body material as follows: M=303 Stainless Steel, S=316 Stainless Steel, A= Aluminum. \* Figures shown represent resolution when using dual pickup sensor.

## Meter Dimensions

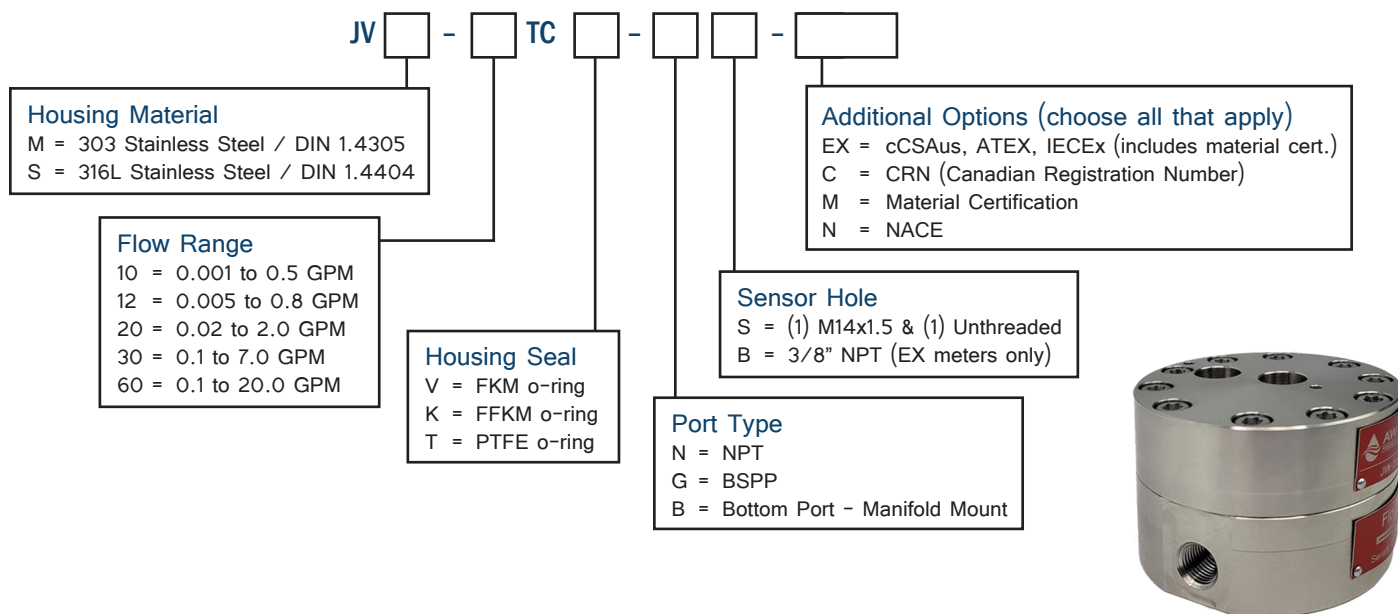


| Meter Size | Dimensions |      |       |      |      | Weights |      |
|------------|------------|------|-------|------|------|---------|------|
|            | A          | B    | C     | D    | H    | (Lbs)   | (Kg) |
| JV#-10TC   | 3.0"       | 2.9" | 0.47" | 1.7" | 2.2" | 2.9     | 1.3  |
| JV#-12TC   | 3.0"       | 2.9" | 0.47" | 1.7" | 2.2" | 3.6     | 1.6  |
| JV#-20TC   | 3.3"       | 3.2" | 0.47" | 1.7" | 2.2" | 4.9     | 2.2  |
| JV#-30TC   | 3.3"       | 3.2" | 0.51" | 1.7" | 2.7" | 6.4     | 2.9  |
| JV#-60TC   | 5.0"       | 4.8" | 0.75" | 2.4" | 4.3" | 18.8    | 8.5  |

3D STEP Models are available upon request of factory.  
Products may be subject to change without notice. Contact factory for the most up-to-date product information.

# JV-TC Positive-Displacement Gear Flow Meter

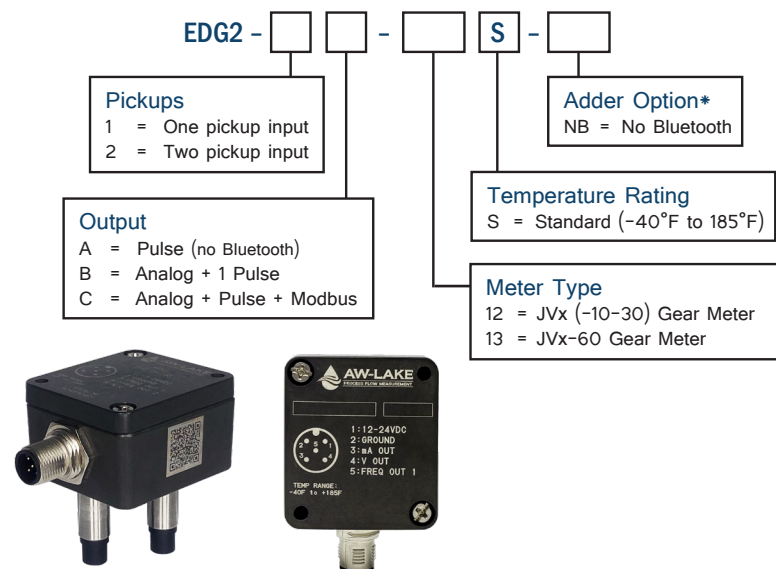
## Part Number Guide



## Recommended Sensors

AW-Lake offers a wide selection of Sensors/Pickups and Monitors/Controllers to optimize flow measurement and deliver your flow data where you need it and in the format you need it.

### JV-TC Standard Sensor: EDGE Sensor



### Additional Electronics Options:

JV-TC meters are also compatible with a range of other pickups, displays, and controllers for high temperature and EX-rated environments.

Visit [AW-Lake.com](http://AW-Lake.com) for more information.



Products may be subject to change without notice.  
Contact factory for the most up-to-date product information.