



TRICOR®

How to check the electrical resistance of the coils /
the temperature sensor (non-Ex, compact DC-Version)





Manual-Version

TCE_8000_CLASSIC_Electrical_Resistance_SM_EN_191009_E006

SW-Version

This manual is valid for

Main SW: Mv3.40 and higher

Display SW: Dv3.40 and higher

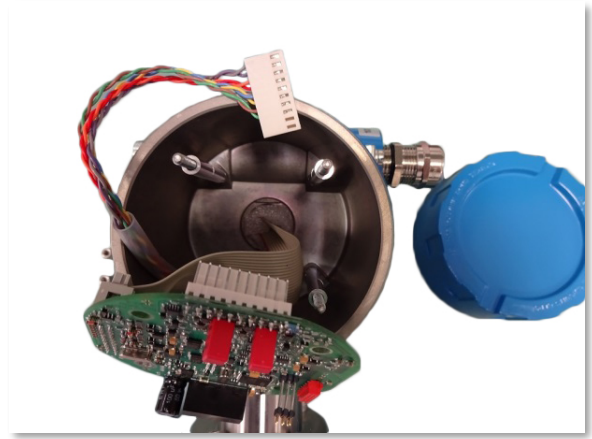
Index

1.	TAKE OFF THE BLUE BACKCOVER OF THE TCE	4
2.	PLUG OFF THE WHITE 10-PIN-PLUG	4
3.	MEASURE THE ELECTRICAL RESISTANCE OF THE COILS	5
4.	PIN ASSIGNMENT	5

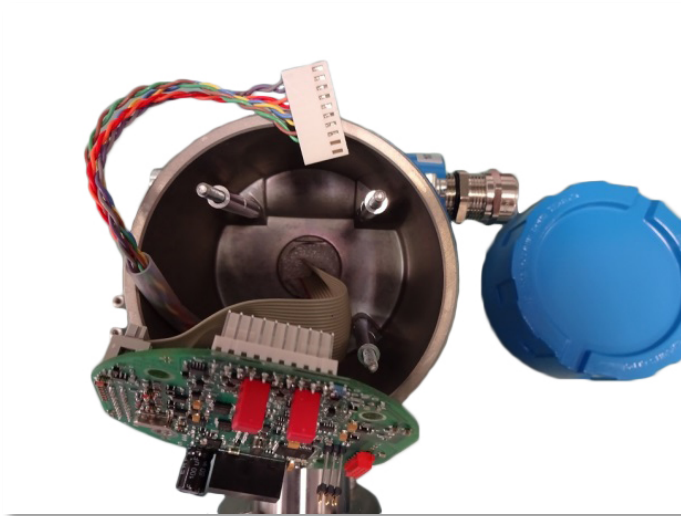


Take off the blue backcover of the TCE

1. Take off the blue backcover of the TCE and unscrew the four bolts to release the mainboard.



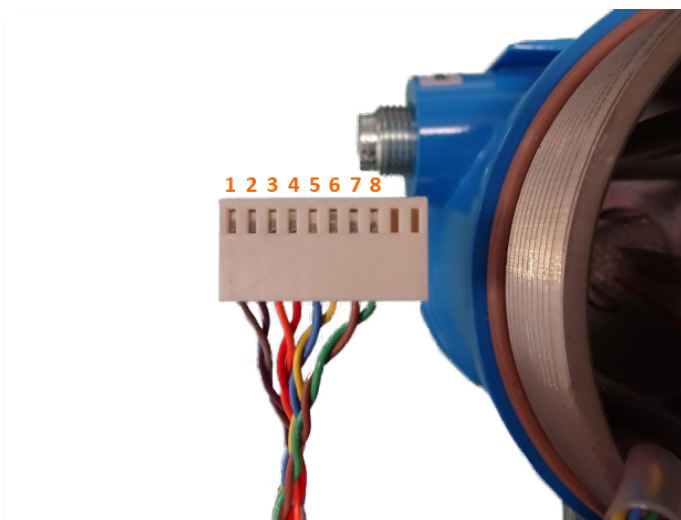
2. Plug off the white 10-pin-plug



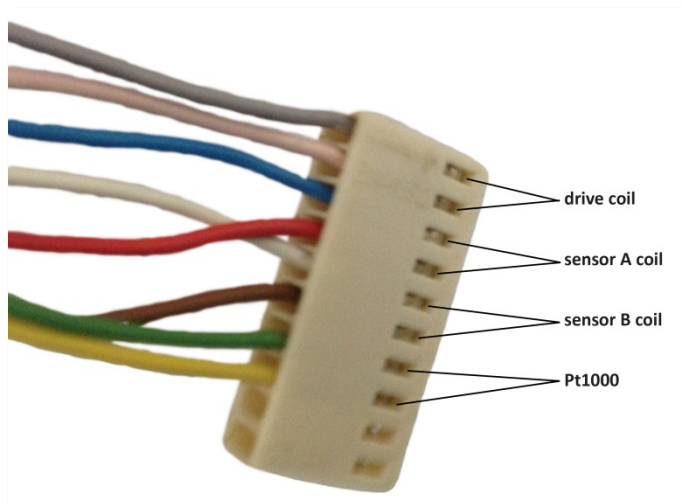


3. Measure the electrical resistance of the coils the temperature sensor (values are listed in the table below) with a multimeter between the pins

Twisted-pair (color)	Pins	Value (approx.)
grey - purple	1 and 2	120 Ohm
orange - red	3 and 4	120 Ohm
blue - yellow	5 and 6	120 Ohm
brown - green	7 and 8	1090 Ohm



4. Pin Assignment





NORTH & SOUTH AMERICA

AW Lake Company
2440 W. Corporate Preserve Dr. #600
Oak Creek WI 53154 | USA
+1 414 574 4300
sales@aw-lake.com
www.aw-lake.com

ASIA PACIFIC & MIDDLE EAST

KEM Küppers Elektromechanik GmbH
Liebigstraße 5
85757 Karlsfeld | Germany
+49 8131 59391-0
info@kem-kueppers.com
www.kem-kueppers.com

EUROPE (ROW)

KEM Küppers Elektromechanik GmbH
Liebigstraße 5
85757 Karlsfeld | Germany
+49 8131 59391-100
sales@kem-kueppers.com
www.kem-kueppers.com

CHINA

KEM flow technology (Beijing) Co., Ltd.
Rm. 906, Block C, Ruipu Office Bldg, No. 15
HongJunYingNan Road
Chaoyang District, Beijing 100012 | China
+86 10 84929567
sales@kem-kueppers.com
www.kem-kueppers.cn

