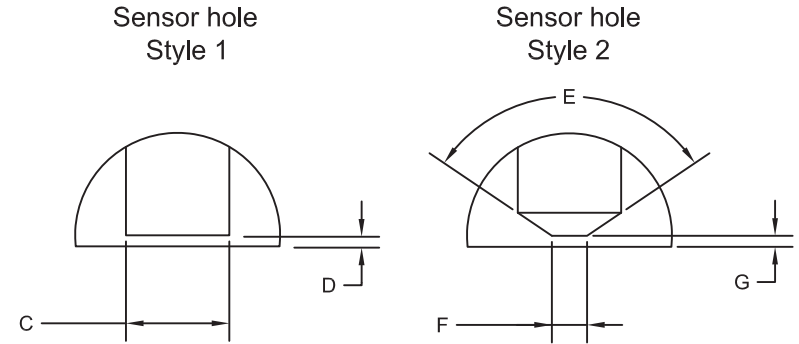
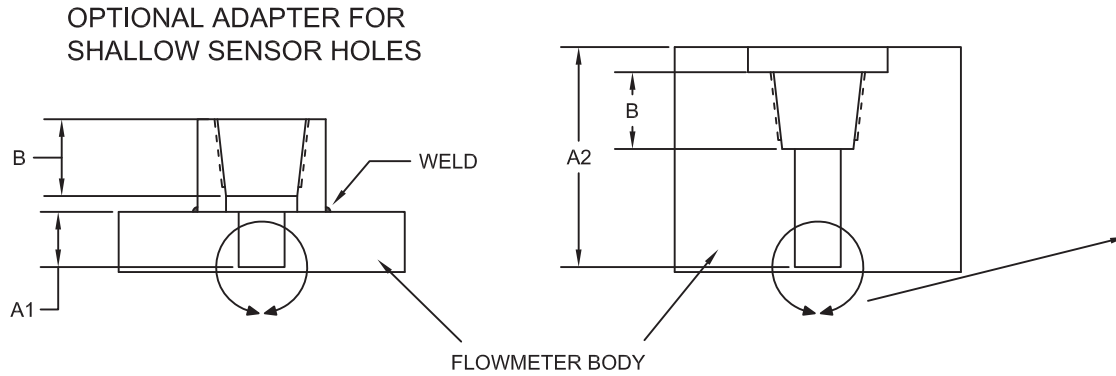


SENSOR HOLE DIMENSIONAL REQUIREMENTS FOR USE WITH RT-30EX, TM-30EX AND HUB-40EX MODELS



Dim. A1 : 0.25" Min.
Dim. A2 : 0.60" Min. (Sensor hole depth into flowmeter body)

Dim. B : 3/8-18 NPT, + $\frac{1}{2}$ to +2 turns

Sensor hole
Style 1

Dim. C : $\varnothing 0.47$ " Max.

Dim. D : 0.039" Min. , MWP: 5KSI

Sensor hole
Style 2

Dim. E : $112^\circ \pm 0.5^\circ$

Dim. F : $\varnothing 0.16$ " Max.

Dim. G : 0.039" Min. , MWP: 9KSI
0.050" Min. , MWP: 15KSI

Critical Production NOTE if welded-on adapter design is used:

After welding on the 3/8" NPT female adapter, weld integrity must be verified by applying a pressure of 555 psi for 1 minute from the 3/8" NPT entry with no drop in pressure and with zero leakage from the welded on adapter joints. This is to verify that weld meets proper flamepath requirements.

Housing material NOTE:

Housing material must be stainless steel grade with a yield and ultimate tensile strength equal to or greater than 303ss and 316ss.

F	UPDATED HOUSING MATERIAL NOTE AND WELDED ON ADAPTER NOTE	08/21/14	CH
E	CHANGED NPT THREAD TOLERANCE ADDED HOUSING MATERIAL REQUIREMENTS ADDED WELD NECK PRESSURE TEST REQ.	07/15/14	CH
D	ADDED OPTION FOR WELDED ADAPTER ADDED 0.039" SENSOR HOLE MEMBRANE THICKNESS OPTION REMOVED FLOWMETER MODEL CALL OUT	03/05/14	CH
C	COMPINED METER MODELS UNDER 15KSI HEADING	01/19/12	CH
B	ADDED NOTES. UPDATED METER LIST ADDED NPT STANDARDS NOTE	01/17/12	CH
REV.	DESCRIPTION OF CHANGE	DATE	BY


NOTES :

- 1) BREAK EDGES MAX 0.005"
- 2) ALL PARTS MUST BE CLEAN & FREE OF PARTICLES

Ex HAZ. LOC. DOCUMENT

AW-LAKE COMPANY USE ONLY

THIS PRINT, INCLUDING THE INFORMATION CONTAINED IN IT, IS THE PROPERTY OF AW-LAKE COMPANY. IT IS CONSIDERED PROPRIETARY IN NATURE AND MAY NOT BE USED OR DISCLOSED OUTSIDE OF AW-LAKE COMPANY, EXCEPT UNDER PRIOR WRITTEN AGREEMENT. ANY MODIFICATIONS MADE TO OR COMMENTS WRITTEN ON THIS DRAWING BY UNAUTHORIZED PERSONNEL WILL VOID THIS DRAWING. ALL DIMENSIONS SHOWN ARE SUBJECT TO CHANGE WITHOUT NOTICE.

 AW-LAKE COMPANY <small>A TASI GROUP COMPANY</small>		8809 INDUSTRIAL DRIVE FRANKSVILLE, WI 53126 TEL. # (262) 884-9800 FAX. # (262) 884-9810	
		TITLE: -EX METER SENSOR HOLE DEF.	
DRAWING NUMBER: RT30990F		PART NUMBER: -	
DATE: 07/21/14	REV: F	DRAWN BY: CHRIS HUSSON	
CHECKED BY: -.-	PAGE 1 OF 1	SCALE: NONE	