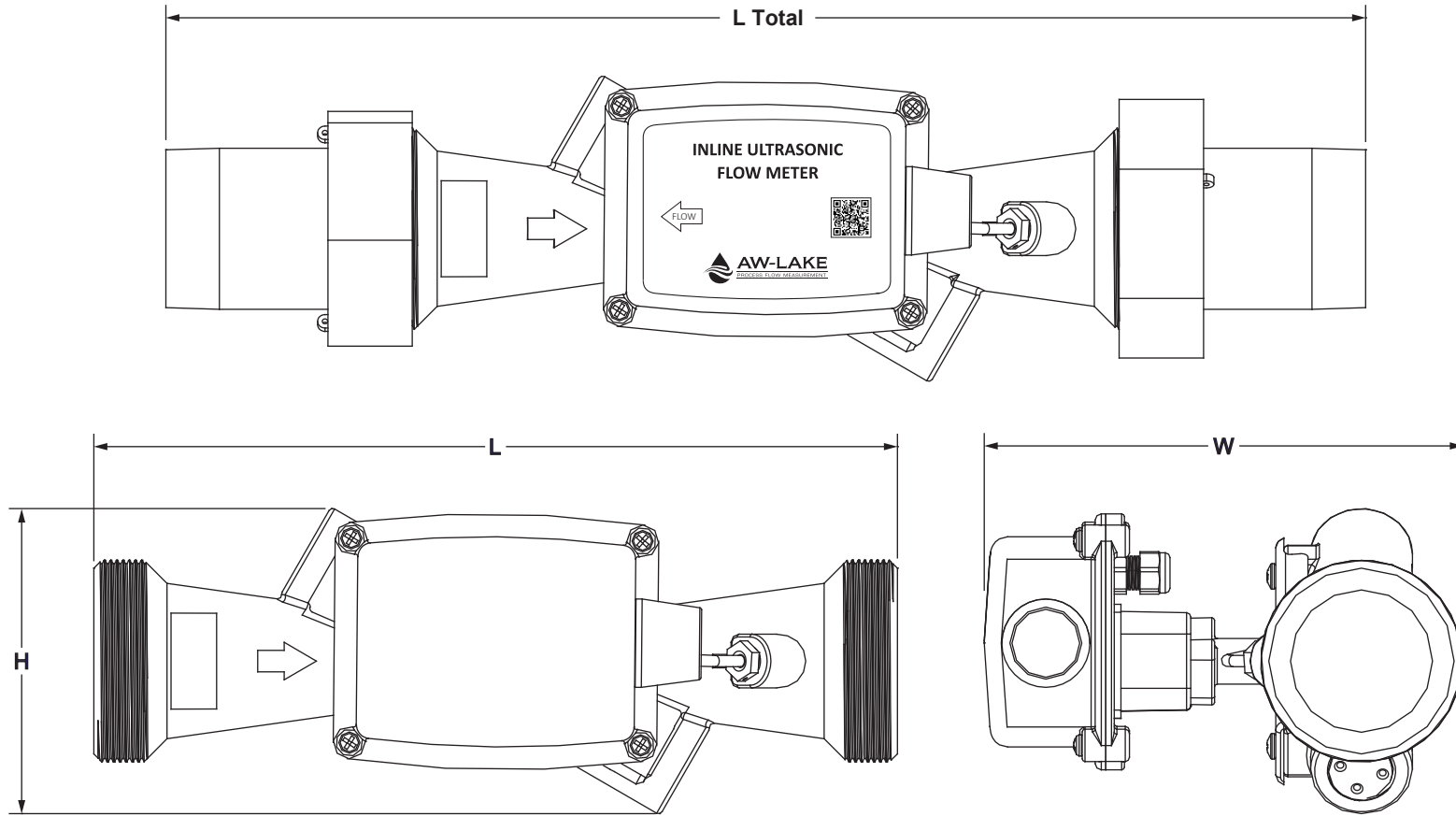


WIN Water Inline Ultrasonic Flow Meter Dimensional Drawing

1 1/4" - 2 1/2" METER DIMENSIONS



Size	L Total	L	W	H
1-1/4"	15.25"	10.20"	6.00"	4.50"
1-1/2"	17.25"	11.80"	6.50"	4.50"
2"	17.75"	11.80"	6.75"	4.50"
**2-1/2"	11.80"	10.23"	9.00"	7.00"


AW-LAKE
 PROCESS FLOW MEASUREMENT
 2440 W Corporate Preserve Dr #600
 Oak Creek, WI 53154
 Phone: 414.574.4300
 Fax: 414.574.4301

DRAWING NO.:	
PART NO.:	
DESCRIPTION:	WIN Water Inline Ultrasonic Meter Dimensional Drawing 1-1/4" to 2-1/2" Meter Sizes
MATERIAL:	
UNITS:	INCHES
Cert. Controlled:	Yes
Cert. Type:	
<i>Certified Drawing/Document. No Modifications Permitted Without Consulting Certification Body</i>	
SCALE:	SHEET: 1 OF 1 SIZE: A

REV: A
Status:
DRAWN BY: MREIFF
DATE: 10/12/2021
MODELED BY:
DATE:

REV.	DATE	BY	DESCRIPTION	APPR. BY	DATE	ECN No.
REVISIONS						

THIS PRINT, INCLUDING THE INFORMATION CONTAINED IN IT IS THE PROPERTY OF AW-LAKE COMPANY. IT IS CONSIDERED PROPRIETARY IN NATURE AND MAY NOT BE USED OR DISCLOSED OUTSIDE OF AW-LAKE COMPANY, EXCEPT UNDER PRIOR WRITTEN AGREEMENT. ANY MODIFICATIONS MADE TO OR COMMENTS WRITTEN ON THIS DRAWING BY UNAUTHORIZED PERSONNEL WILL VOID THIS DRAWING. ALL DIMENSIONS SHOWN ARE SUBJECT TO CHANGE WITHOUT NOTICE.

THIS PRINT, INCLUDING THE INFORMATION CONTAINED IN IT IS THE PROPERTY OF AW-LAKE COMPANY. IT IS CONSIDERED PROPRIETARY IN NATURE AND MAY NOT BE USED OR DISCLOSED OUTSIDE OF AW-LAKE COMPANY, EXCEPT UNDER PRIOR WRITTEN AGREEMENT. ANY MODIFICATIONS MADE TO OR COMMENTS WRITTEN ON THIS DRAWING BY UNAUTHORIZED PERSONNEL WILL VOID THIS DRAWING. ALL DIMENSIONS SHOWN ARE SUBJECT TO CHANGE WITHOUT NOTICE.