

# TRP Pelton Wheel High Temp Turbine Flow Meter



## Common Uses

The TRP High Temperature Turbine Flow Meter was designed specifically to integrate into high temperature heat transfer loops often associated with maintaining ideal temperatures in the metal die casting industry. Maintaining consistent mold temperatures ensures controlled curing and optimum mold release of cast parts with reduced cycle times. With accuracies of 2.5% and repeatability of 0.5% the TRP High Temperature Turbine Flow Meter delivers the accuracy required in even the toughest applications with contaminated or extremely hot oil heat transfer media.

## Technical Specifications

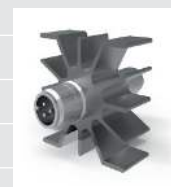
### METER:

Flow Range	0.75 to 75 gpm (see meter data for individual meter sizes)
Measuring Accuracy	±2.5% of actual flow
Repeatability	±0.5%
Viscosity Range	0.8 to 10cSt
Meter Sizes	½" through 1"
Piping Connections	NPT
Fluid Temperature Range	-76°F to 662°F (-60 to 350°C)
Max. Operating Pressure	290 psi   20 bar



### SENSOR (Included):

Output	0.5 mV to 500 mV (Passive coil - amplitude is flow dependent)
Frequency Range	7 to 820 Hz depending on flow meter
Media Temperature Range	-76°F to 662°F (-60 to 350°C)
Connection	MIL 3-pole
Housing Material	Stainless steel



### CABLE\* (Meter requires cable with high-temp 3-pin connector):

1-meter cable	1-meter long sensor cable with high-temp 3-pin connector (KAB03-2-01-S05)
3-meter cable	3-meter long sensor cable with high-temp 3-pin connector (KAB03-2-03-S05)

### VIEG AMPLIFIER (Optional):

Supply Voltage	12-24 VDC
Output	Three wire active or passive NPN
Frequency Range	7 to 820 Hz depending on flow meter
Ambient Temperature Range	-40°F to 176°F (-40 to 80°C)
Degree of Protection	IP65 (DIN 40050)



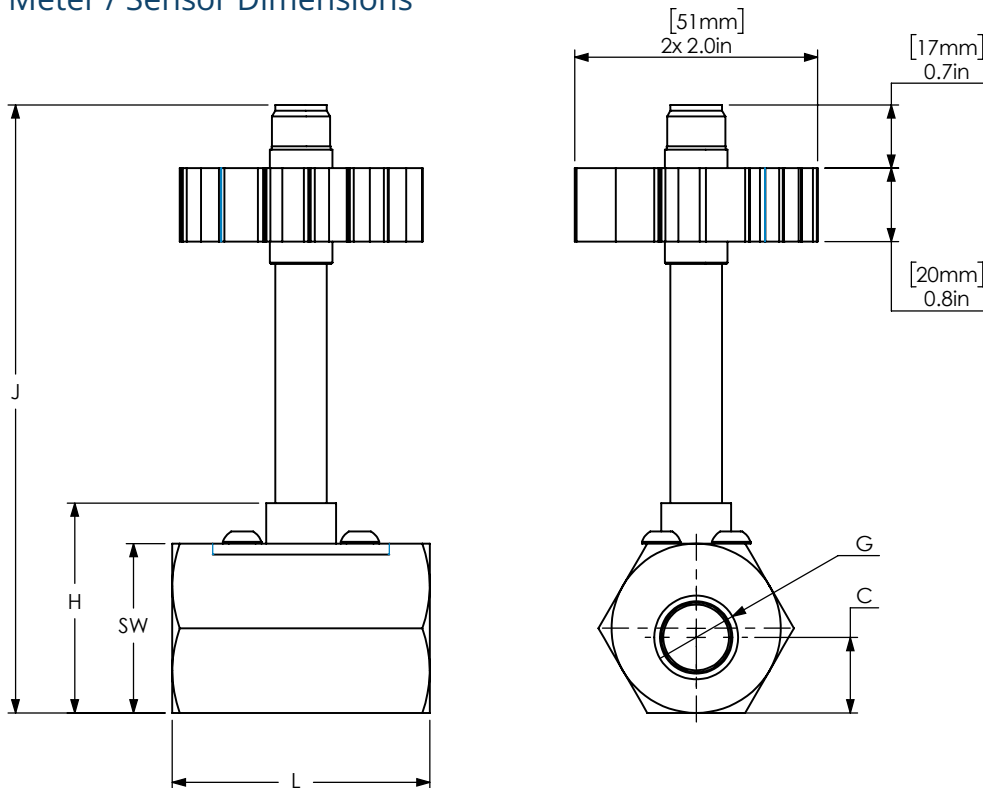
\* High temperature cable not included.

# TRP Pelton Wheel High Temp Turbine Flow Meter

## Meter Data

Part Number	Flow Range		Maximum Pressure		Maximum Frequency	Ports
	GPM	LPM	PSI	Bar	Hz	
TRP-A-50	0.75-7.5	3.0-30	290	20	520	1/2" NPT
TRP-A-75	2.5-25	8.5-85	290	20	980	3/4" NPT
TRP-A-100	4-40	15-150	290	20	770	1" NPT
TRP-A-100H	7.5-75	28-280	290	20	820	1" NPT

## Meter / Sensor Dimensions



Part Number	C	L	SW	H	G	J
TRP-A-50	0.81"	2.75"	1.8"	2.24"	1/2"	6.5"
TRP-A-75	0.81"	2.75"	1.8"	2.24"	3/4"	6.5"
TRP-A-100	0.81"	2.75"	2.0"	2.40"	1"	6.7"
TRP-A-100H	0.91"	2.75"	2.2"	2.60"	1"	6.9"

## Materials of Construction

Body	303 Stainless Steel
Wheels	Stainless Steel (DIN 1.4122)
Bearings	Brass
Seals	Graphite

Products may be subject to change without notice.  
Contact factory for the most up-to-date product information.



2440 W. Corporate Preserve Dr. #600, Oak Creek, WI 53154 | [www.aw-lake.com](http://www.aw-lake.com)

©2021 AW-Lake Company. All rights reserved. Doc ID: TRPDS21 Rev 9.18.24