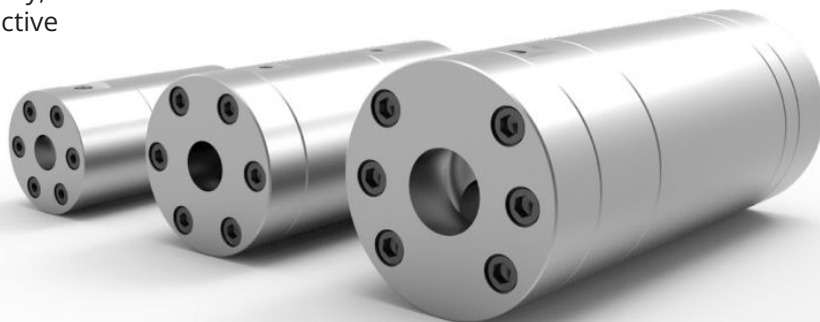


SRZ-BB Helical Positive Displacement Flow Meter

Common Uses

SRZ-BB helical PD flow meters with stainless steel housing and ball bearings were designed for measuring lower viscosity, non-abrasive fluids, such as in lubrication systems. The cost-effective bearing design and extended tolerances make this meter well suited to applications that include:

- Hydraulic test stands
- Lubrication monitoring systems
- Water/Glycol mixtures
- Different fats and oils with varying viscosities



Technical Specifications

3 Flow Ranges	0.1 to 10.6 gpm 0.26 to 26.4 gpm 1.1 to 105.7 gpm
Measuring Accuracy	±0.5% over full range with 30cP fluid
Repeatability	± 0.05%
Max. Resolution	32,247 pulses/gallon 3.5 pulses/cc
Max. Operating Pressure	4,500 psi 315 bar
Fluid Temperature	-40°F to 302°F (-40°C to 150°C)
Ports	NPT standard, BSPP optional
Turndown	100:1
Calibration	7-point logarithmic calibration

Materials of Construction

Body	303 Stainless Steel or 316L Stainless Steel
Helical Gears	Stainless Steel (DIN 1.4122) (QPQ coating)
Index Gear	Stainless Steel (DIN 1.4122)
O-ring	FKM or PTFE
Ball Bearings & Shafts	Stainless Steel
Bolts	Zinc Flake Coated Carbon Steel

Output Options

Choose from a wide variety of pickups, sensors, monitors, and controllers to pair with your gear meter:

- Frequency
- Analog (voltage or 4-20mA)
- Battery, loop, or DC powered displays

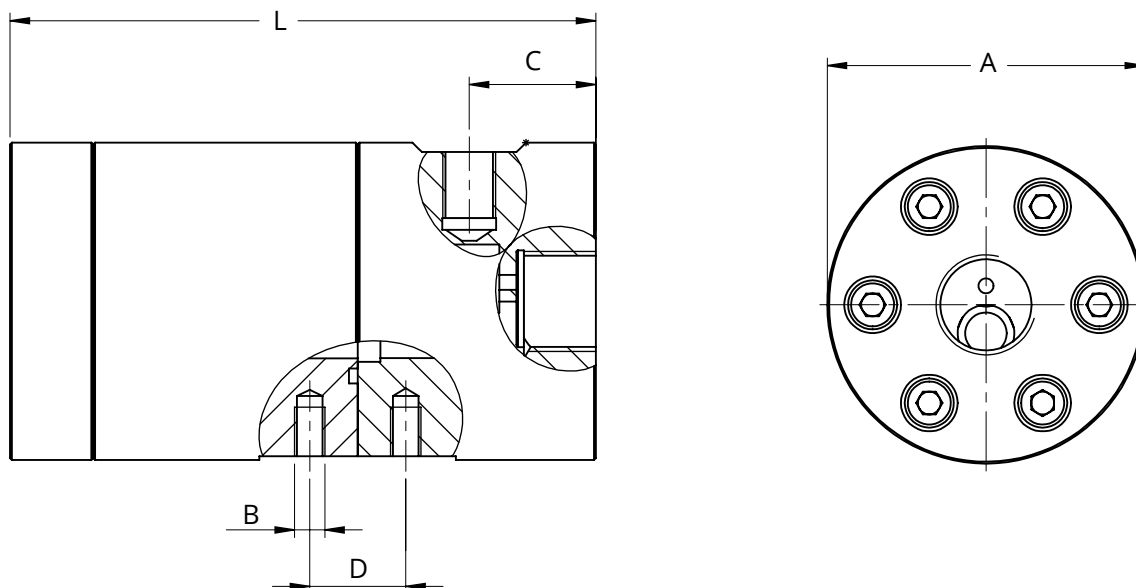
SRZ-BB Helical Positive Displacement Flow Meter

Meter Data

Meter Size	Flow Range		Resolution			Ports	Filtration (microns)	Pressure	
	(GPM)	(LPM)	(Impulses/Gal)	(Impulses/L)	(Impulses/cc)			(psi)	(bar)
SRZ#-40BB	0.1-10.6	0.4-40	32,247	3,500	3.5	¾" NPT	200	4,500	315
SRZ#-100BB	0.26-26.4	1.0-100	3,214	850	0.85	1" NPT	300	3,600	250
SRZ#-400BB	1.1-105.7	4.0-400	810	214	0.214	1½" NPT	300	2,900	200

- Complete part # by selecting body material as follows: M=303 Stainless Steel, S=316 Stainless Steel.

Meter Dimensions

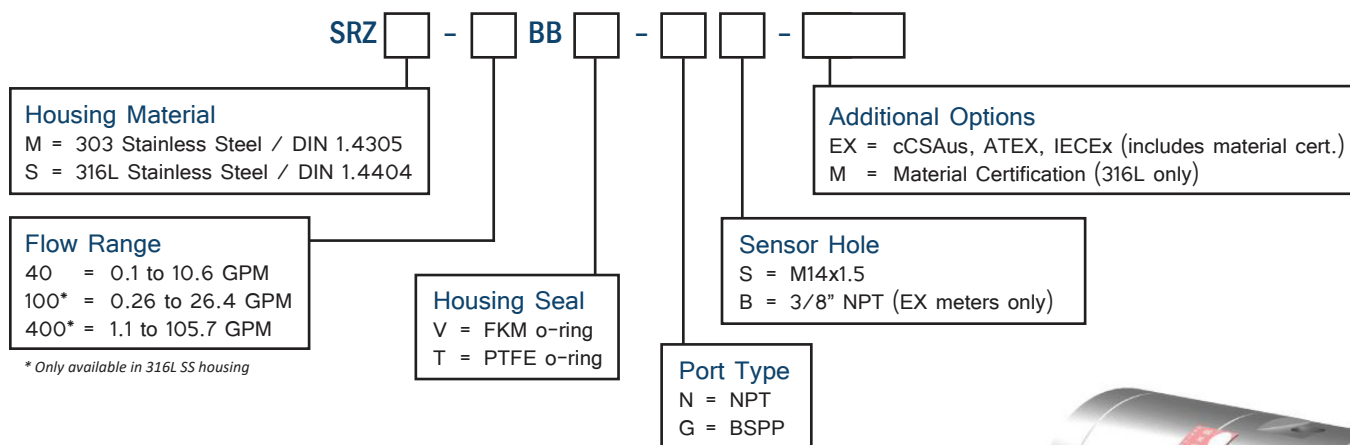


Meter Size	Dimensions					Weights	
	A	B	C	D	L	(Lbs)	(Kg)
SRZ#-40BB	3.4" (85mm)	M8	1.3" (33.5mm)	1.0" (25mm)	6.1" (155mm)	13.7	6.2
SRZ#-100BB	4.3" (109mm)	M10	2.1" (53mm)	1.7" (44mm)	8.7" (221mm)	33.1	15.0
SRZ#-400BB	5.3" (134mm)	M12	2.4" (60mm)	3.2" (80mm)	12.5" (318mm)	75.0	34.0

3D STEP Models are available upon request of factory.
 Products may be subject to change without notice. Contact factory for the most up-to-date product information.

SRZ-BB Helical Positive Displacement Flow Meter

Part Number Guide



Electronics Options

AW-Lake offers a wide selection of Sensors/Pickups and Monitors/Controllers to optimize flow measurement and deliver your flow data where you need it and in the format you need it:

- Analog (Voltage & 4-20mA available)
- Frequency
- Modbus®
- HART®
- Bluetooth®
- Electronic Displays (Local & Remote Mount)
- Certified Units (UL, cCSAus, ATEX, IECEx)
- Wireless Monitoring (Radio Frequency)

Refer to website for more information.



Products may be subject to change without notice.
Contact factory for the most up-to-date product information.