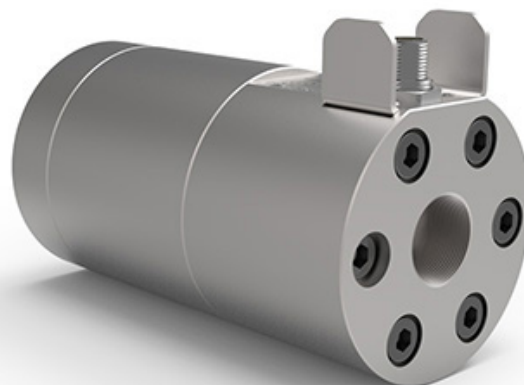


# SRZ-H High Resolution Helical Positive Displacement Flow Meter

## Common Uses

The SRZ-H High Resolution Helical PD Flow Meters are ideal for highly filled and abrasive fluids, such as polyurethanes and polymers, glues and sealing materials, as well as heavy fuel oils. These positive displacement flow meters are equipped with a built in sensor and is capable of maintaining consistent accuracy of  $\pm 0.5\%$  despite changing viscosity conditions. Practical applications include:

- Sealant and adhesive dispensing applications
- Paint reclaim and environmental tracking
- Paint circulation and supply



## Technical Specifications

Linear Flow Range	0.1 to 10.6 gpm*
Measuring Accuracy	$\pm 0.5\%$ over full range with 30cP fluid**
Repeatability	$\pm 0.05\%$
Max. Resolution	499,000 pulses/gallon   132 pulses/cc
Max. Operating Pressure	up to 3,600 psi   250 bar
Fluid Temperature Range	-40 to 158°F   -40 to 70°C
Ports	3/4" NPT (BSPP optional)
Turndown	up to 400:1
Calibration	7-point logarithmic calibration

\* Optional extended range 0.01 to 2.0 gpm; \*\*Extended range +1.0% up to 2 gpm with 100cP fluid

## Materials of Construction

Body	303 Stainless Steel
Helical Gears	Stainless Steel (DIN 1.4122) (QPQ coating)
Index Gear	Magnet pole wheel
O-ring	FKM or PTFE
Sleeve Bushing & Shafts	Tungsten Carbide
Bolts	Zinc Flake Coated Carbon Steel

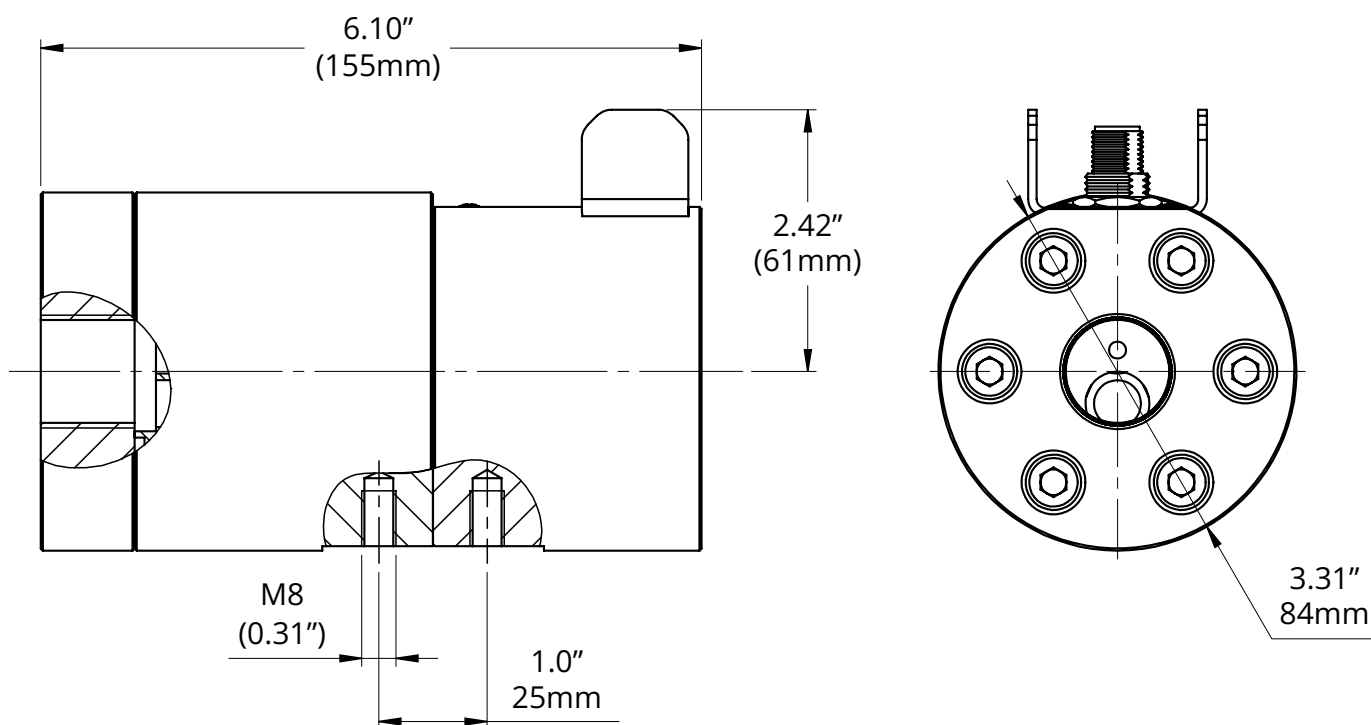
# SRZ-H High Resolution Helical Positive Displacement Flow Meter

## Meter Data

Meter	Flow Range*		Resolution			Ports	Filtration (microns)	Pressure	
	(GPM)	(LPM)	(Impulses/Gal)	(Impulses/L)	(Impulses/cc)			psi	bar
SRZ-40-x-H1	0.1-10.6	0.4-40	124,900	33,000	33	¾" NPT	200	3,600	250
SRZ-40-x-H2	0.1-5.8	0.4-22	249,800	66,000	66	¾" NPT	200	3,600	250
SRZ-40-x-H3	0.1-2.9	0.4-11	499,700	132,000	132	¾" NPT	200	3,600	250

\* Optional extended range 0.01 to 2.0 gpm

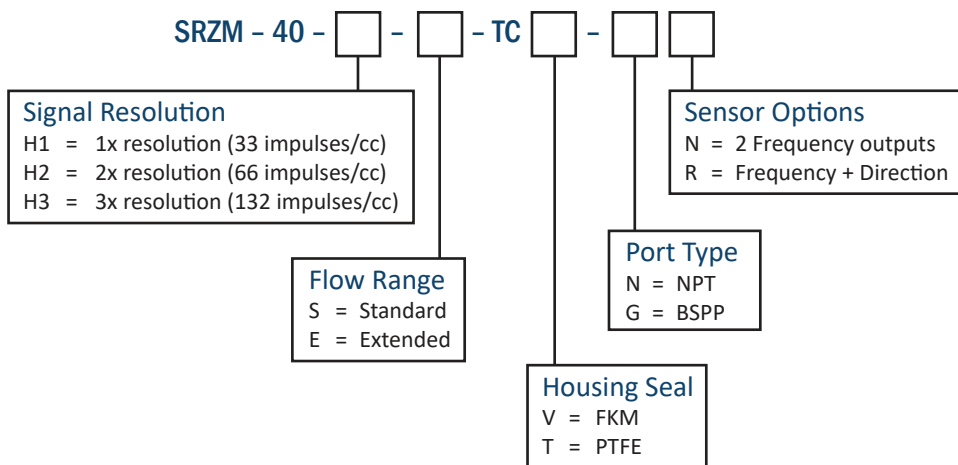
## Meter Dimensions



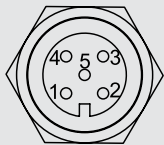
3D STEP Models are available upon request of factory.  
 Products may be subject to change without notice. Contact factory for the most up-to-date product information.

# SRZ-H High Resolution Helical Positive Displacement Flow Meter

## Part Number Guide



## Electrical Specifications

Supply Voltage	12 up to 30 VDC	
Frequency Output	Active push pull, square wave signal out max. 20 mA Duty cycle 50% nominal	
Electrical Connection	<p>Sensor N:</p> <ul style="list-style-type: none"> <li>1 = +Supply (12 up to 30 VDC)</li> <li>2 = Output signal B</li> <li>3 = 0V/Ground</li> <li>4 = Output signal A</li> <li>5 = n.c.</li> </ul> <p>- All output signals are available simultaneously                      - Signals 2 and 4 are 90° phase-shifted.</p>	<p>Sensor R:</p> <ul style="list-style-type: none"> <li>1 = +Supply (12 up to 30 VDC)</li> <li>2 = Direction</li> <li>3 = 0V/Ground</li> <li>4 = Frequency output</li> <li>5 = n.c.</li> </ul>
Ingress Protection	IP67 when used with IP67 rated mating connector	
Connector Pin-Out		

Products may be subject to change without notice.  
 Contact factory for the most up-to-date product information.