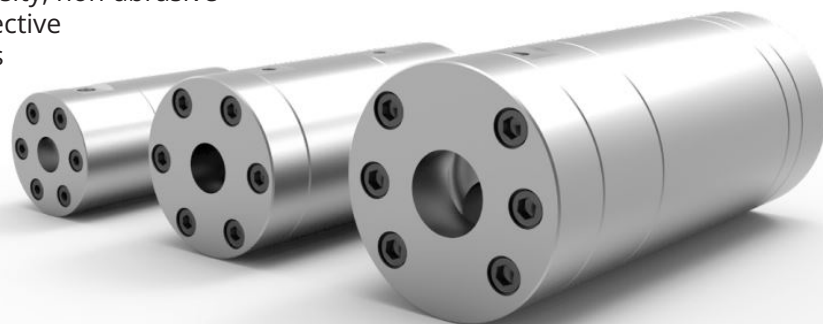


# SRZ-BB Helical Positive Displacement Flow Meter

## Common Uses

SRZ-BB helical PD flow meters with stainless steel housing and ball bearings were designed for measuring lower viscosity, non-abrasive fluids, such as in lubrication systems. The cost-effective bearing design and extended tolerances make this meter well suited to applications that include:

- Hydraulic test stands
- Lubrication monitoring systems
- Water/Glycol mixtures
- Different fats and oils with varying viscosities



## Technical Specifications

|                         |   |
|-------------------------|---|
| 3 Flow Ranges           | 0.1 to 10.6 gpm   0.26 to 26.4 gpm   1.1 to 105.7 gpm |
| Measuring Accuracy      | ±0.5% over full range with 30cP fluid                 |
| Repeatability           | ± 0.05%   |
| Max. Resolution         | 32,247 pulses/gallon   3.5 pulses/cc                  |
| Max. Operating Pressure | 4,500 psi   315 bar                                   |
| Fluid Temperature       | -40°F to 302°F (-40°C to 150°C)                       |
| Ports                   | NPT standard, BSPP optional                           |
| Turndown                | 100:1   |
| Calibration             | 7-point logarithmic calibration                       |

## Materials of Construction

|                        |   |
|------------------------|---|
| Body                   | 303 Stainless Steel or 316L Stainless Steel |
| Helical Gears          | Stainless Steel (DIN 1.4122) (QPQ coating)  |
| Index Gear             | Stainless Steel (DIN 1.4122)                |
| O-ring                 | FKM or PTFE                                 |
| Ball Bearings & Shafts | Stainless Steel                             |
| Bolts                  | Zinc Flake Coated Carbon Steel              |

## Output Options

Choose from a wide variety of pickups, sensors, monitors, and controllers to pair with your gear meter:

- Frequency
- Analog (voltage or 4-20mA)
- Battery, loop, or DC powered displays

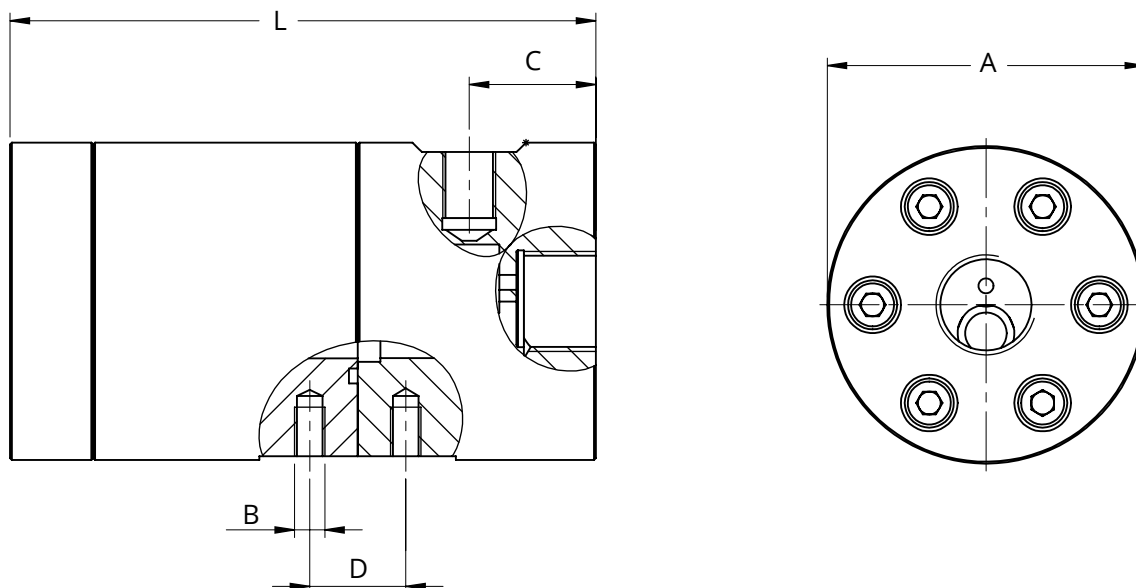
# SRZ-BB Helical Positive Displacement Flow Meter

## Meter Data

| Meter Size | Flow Range |         | Resolution     |              |               | Ports   | Filtration<br>(microns) | Pressure |       |
|------------|------------|---------|----------------|--------------|---------------|---------|-------------------------|----------|-------|
|            | (GPM)      | (LPM)   | (Impulses/Gal) | (Impulses/L) | (Impulses/cc) |         |                         | (psi)    | (bar) |
| SRZ#-40BB  | 0.1-10.6   | 0.4-40  | 32,247         | 3,500        | 3.5           | ¾" NPT  | 200                     | 4,500    | 315   |
| SRZ#-100BB | 0.26-26.4  | 1.0-100 | 3,214          | 850          | 0.85          | 1" NPT  | 300                     | 3,600    | 250   |
| SRZ#-400BB | 1.1-105.7  | 4.0-400 | 810            | 214          | 0.214         | 1½" NPT | 300                     | 2,900    | 200   |

# - Complete part # by selecting body material as follows: M=303 Stainless Steel, S=316 Stainless Steel.

## Meter Dimensions

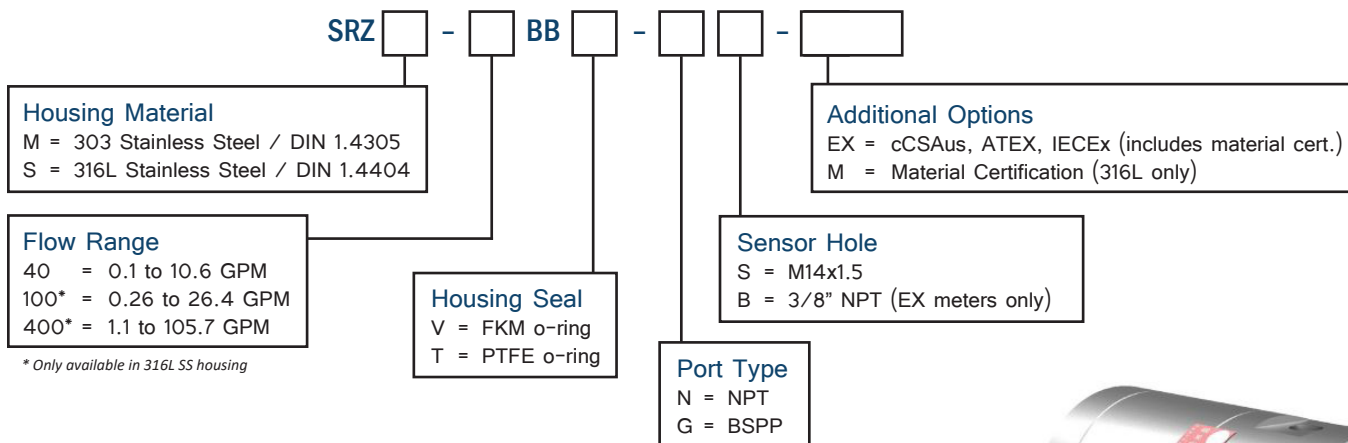


| Meter Size | Dimensions   |     |               |             |               | Weights |      |
|------------|--------------|-----|---------------|-------------|---------------|---------|------|
|            | A            | B   | C             | D           | L             | (Lbs)   | (Kg) |
| SRZ#-40BB  | 3.4" (85mm)  | M8  | 1.3" (33.5mm) | 1.0" (25mm) | 6.1" (155mm)  | 13.7    | 6.2  |
| SRZ#-100BB | 4.3" (109mm) | M10 | 2.1" (53mm)   | 1.7" (44mm) | 8.7" (221mm)  | 33.1    | 15.0 |
| SRZ#-400BB | 5.3" (134mm) | M12 | 2.4" (60mm)   | 3.2" (80mm) | 12.5" (318mm) | 75.0    | 34.0 |

3D STEP Models are available upon request of factory.  
 Products may be subject to change without notice. Contact factory for the most up-to-date product information.

# SRZ-BB Helical Positive Displacement Flow Meter

## Part Number Guide



## Electronics Options

AW-Lake offers a wide selection of Sensors/Pickups and Monitors/Controllers to optimize flow measurement and deliver your flow data where you need it and in the format you need it:

- Analog (Voltage & 4-20mA available)
- Frequency
- Modbus®
- HART®
- Bluetooth®
- Electronic Displays (Local & Remote Mount)
- Certified Units (UL, cCSAus, ATEX, IECEx)
- Wireless Monitoring (Radio Frequency)

Refer to website for more information.



*Products may be subject to change without notice.  
Contact factory for the most up-to-date product information.*