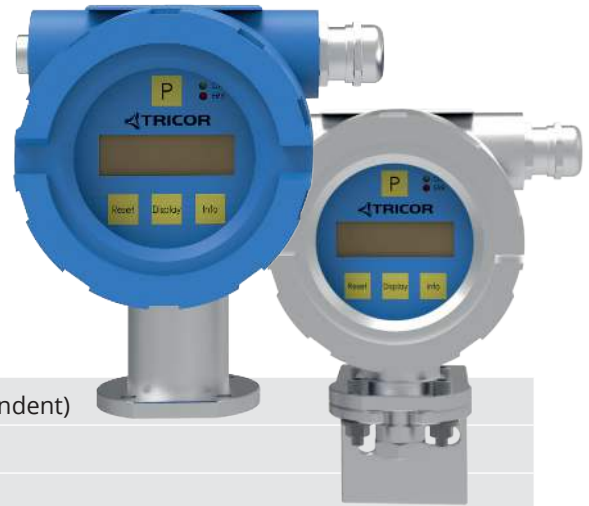


TCE 8000 TRICOR Coriolis Transmitter

Common Uses

The TCE 8000 is an economical multi-variable Coriolis transmitter that can output flow rate, total, density or temperature. It ships factory-configured for fast commissioning. TCE 8000 units are available in local mount or wall mount depending on your requirements and have hazardous area approvals: CSA (US & Canada), ATEX, IECEx, EAC (TR-CU), and KGS.



Technical Specifications

Supply Voltage	24 VDC or 100-240 VAC (version dependent)
Power Consumption	4 W (DC), max. 11W (AC)
Display	Back-lit LCD screen 132 x 32 dot Programmed via front keyboard or TRICOR Configurator (Modbus)
Reverse Polarity Protection	yes
Galvanic Isolation	2,500 VAC
Interfaces	RS485 (Modbus RTU), HART®, Foundation Fieldbus®
Cable Glands	Suitable for 7-13 mm cables Material: Brass/Ni plated (option: 316SS (1.4404 AISI)) Thread: 2 x 1/2" NPT or 2 x M20 x 1.5
Housing Material	Aluminum standard 316L Stainless Steel (1.4404 AISI) optional
Protection Class	IP65 (IP66/IP67 on request)
Ambient Temperature	AC: -40 to 122°F (-40 to 50°C); DC: -40 to 158°F (-40 to 70°C)
Connectivity	Cage clamp terminals

Analog Output

Current Outputs (2x)	4-20 mA passive
Output Value (programmable)	flow, total mass, total volume, density, temperature

Pulse Output

Frequency Range	.5 - 10,000 Hz
Output Signal	Active push-pull output for flow rate

Status Input & Output

Status Output	Push pull programmable: in TOTAL mode: 0.5 - 100 Hz; in FREQUENCY mode: 0.5-10,000 Hz
Control Input	Programmable

Analog Input (Option)

Input Type	4-20 mA active for two-wire passive pressure sensor
------------	---

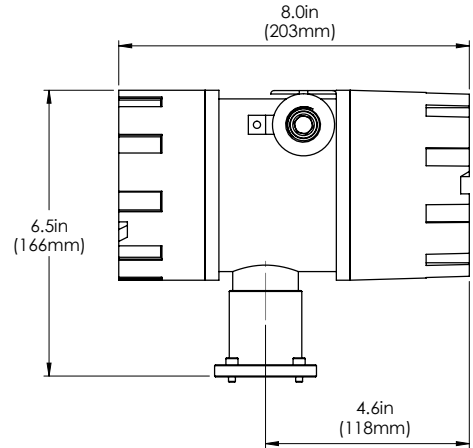
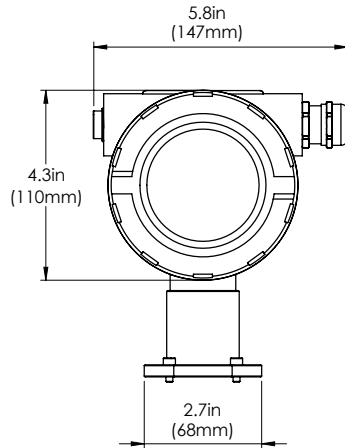
TCE 8000 TRICOR Coriolis Transmitter

Unit Dimensions & Weights

Meter-Mount Model

Aluminum diecast housing:
Weight: 6.1 lb (2.8 kg)

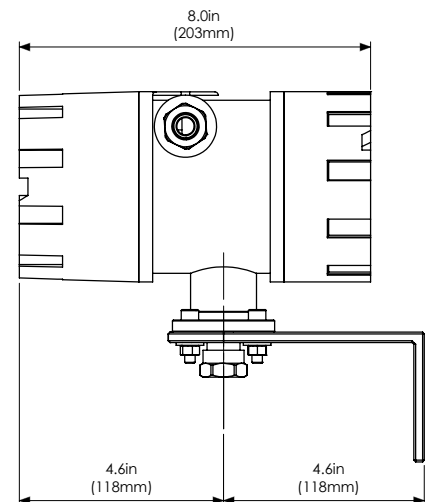
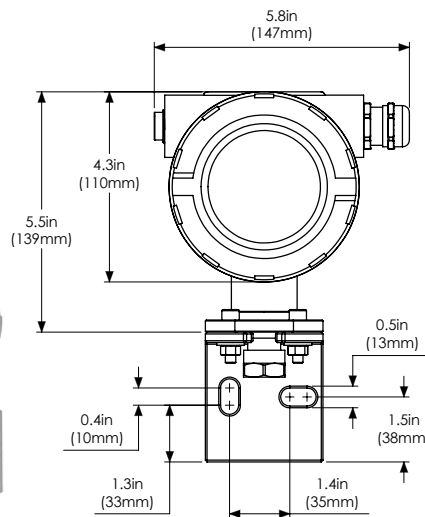
Stainless steel housing:
Weight: 15.8 lb (7.2 kg)



Wall-Mount Model

Aluminum diecast housing:
Weight: 8.4 lb (3.8 kg)

Stainless steel housing:
Weight: 19.4 lb (8.8 kg)



Certifications

CSA*

Compact:

Cl. I, Div. 1: Groups C & D: T4 (US, Can)
Ex db ia IIC T4 Gb (Can)
Cl. I, Zone 1, AEx db ia IIC T4 Gb

Remote:

Sensor:
Cl. I, Div. 1, Groups C & D: T4...T2 (US, Can)
Ex ia IIC T4...T2 Ga (Can)
Cl. I, Zone 0, AEx ia IIC T4...T2 Ga (US)

Transmitter:

Cl. I, Div. 1, Groups C & D: T4 (US, Can)
Ex db [ia Ga] IIC T4 Gb (Can)
Cl. I, Zone 1, AEx db[ia Ga] IIC T4 Gb (US)

ATEX

Zone 1: Compact: II 2G Ex db ia IIC T4 Gb
Remote: Sensor: II 1G Ex ia IIC T4...T2 Ga
Transmitter: II 2(1)G Ex db [ia Ga] IIC T4 Gb
Zone 2 (All): II 3G Ex nA IIC T4 Gc

IECEX

Compact: Ex db ia IIC T4 Gb
Remote: Sensor: Ex ia IIC T4...T2 Ga
Transmitter: Ex db [ia Ga] IIC T4 Gb

EAC (TR-CU)

Group IIC or IIB, T2...T4

KGS
(Korean)

Compact: Ex d (ai) IIC T4
Remote: Sensor: Ex ia IIC T4
Transmitter: Ex d (ia) IIC T4

*CSA certification is only available in diecast aluminum housing.