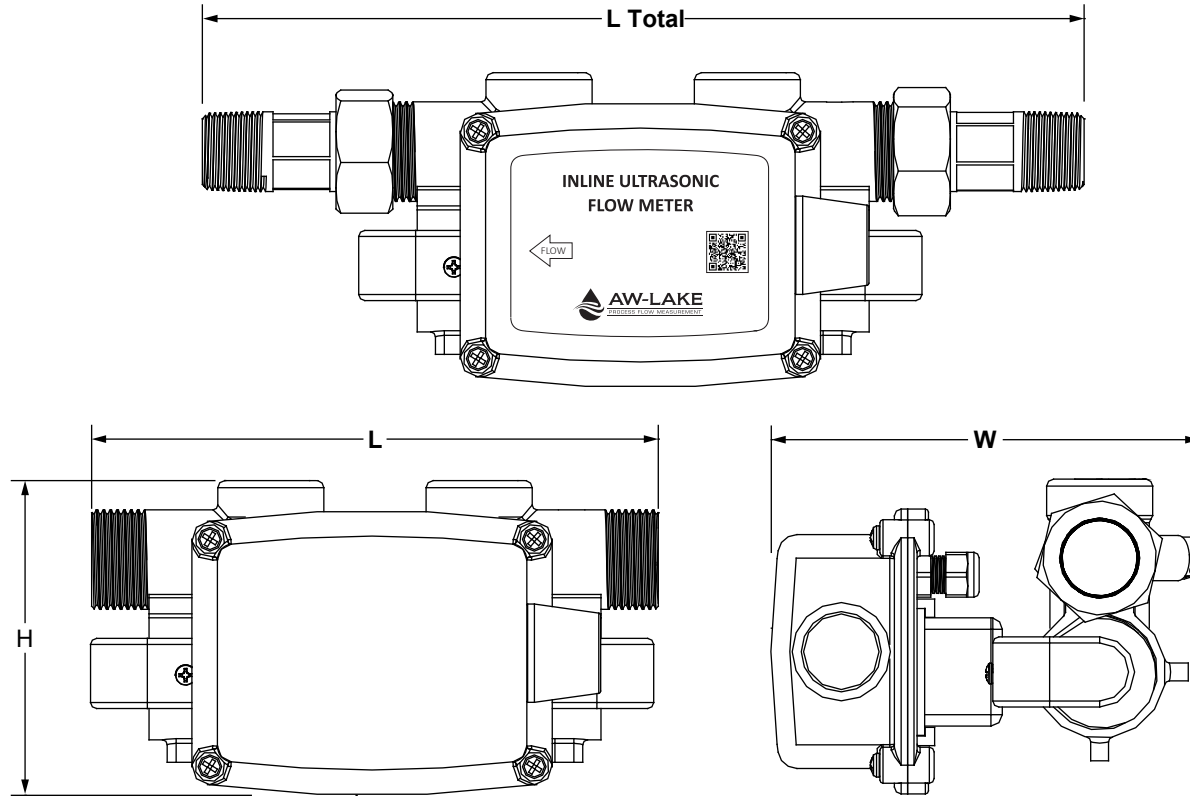



WIN Water Inline Ultrasonic Flow Meter Dimensional Drawing

1/2" - 1" METER DIMENSIONS



Size	L Total	L	W	H
1/2"	11.2"	7.48"	6.00"	4.20"
3/4"	11.7"	7.48"	6.00"	4.20"
3/4" high flow	11.7"	7.48"	6.00"	4.20"
1"	12.3"	10.23"	6.00"	4.20"
1" high flow	15"	10.23"	6.00"	4.20"


AW-LAKE
 PROCESS FLOW MEASUREMENT
 2440 W Corporate Preserve Dr #600
 Oak Creek, WI 53154
 Phone: 414.574.4300
 Fax: 414.574.4301

UNITS: INCHES
 TOLERANCES UNLESS OTHERWISE NOTED
 INCHES METRIC
 .XXX ± .0005 .XXX ± .013
 .XX ± .003 .XX ± .07
 .X ± .01 .X ± .25
 FRAC. ± 1/64 ANG. ± 5°


Surface Roughness [Ra]: 64µin / 1.6µm

DRAWING NO.:	
PART NO.:	
DESCRIPTION:	WIN Water Inline Ultrasonic Meter Dimensional Drawing 1/2" to 1" Meter Sizes
MATERIAL:	
UNITS:	INCHES
Cert. Controlled:	Yes
Cert. Type:	
<i>Certified Drawing/Document. No Modifications Permitted Without Consulting Certification Body</i>	
SCALE:	SHEET: 1 OF 1
	SIZE: A

REV: A
Status:
DRAWN BY: MREIFF
DATE: 10/12/2021
MODELED BY:
DATE:

REV.	DATE	BY	DESCRIPTION	APPR. BY	DATE	ECN No.
REVISIONS						