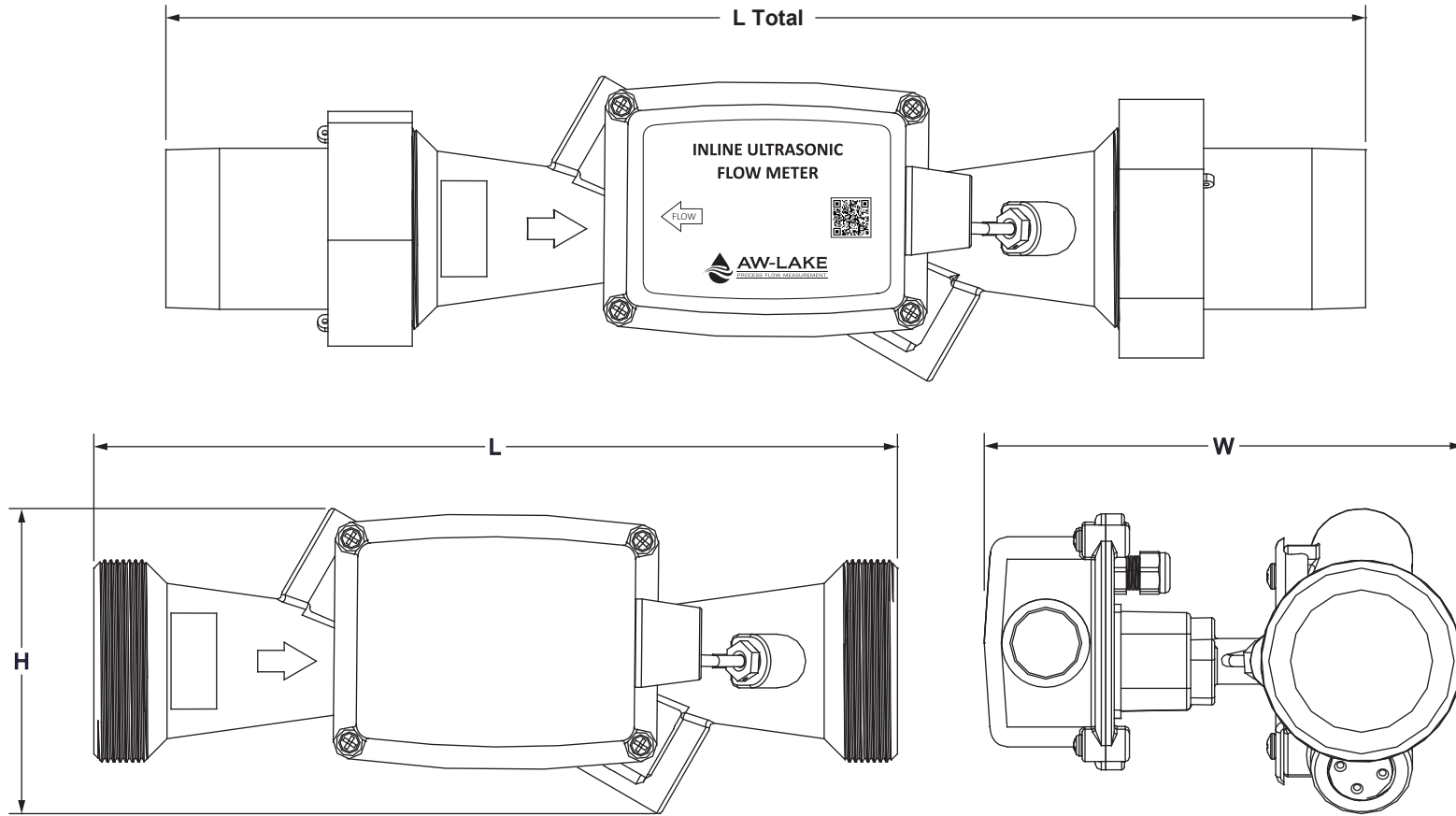


# WIN Water Inline Ultrasonic Flow Meter Dimensional Drawing

1 1/4" - 2 1/2" METER DIMENSIONS



Size	L Total	L	W	H
1-1/4"	15.25"	10.20"	6.00"	4.50"
1-1/2"	17.25"	11.80"	6.50"	4.50"
2"	17.75"	11.80"	6.75"	4.50"
**2-1/2"	11.80"	10.23"	9.00"	7.00"


**AW-LAKE**  
PROCESS FLOW MEASUREMENT

2440 W Corporate Preserve Dr #600  
 Oak Creek, WI 53154  
 Phone: 414.574.4300  
 Fax: 414.574.4301

UNITS: INCHES  
 TOLERANCES UNLESS OTHERWISE NOTED

INCHES	METRIC
.XXX ± .0005	.XXX ± .013
.XX ± .003	.XX ± .07
.X ± .01	.X ± .25
FRAC. ± 1/64	ANG. ± 5°
ANG. ± 5°	

Surface Roughness [Ra]: 64µin / 1.6µm

DRAWING NO.:	
PART NO.:	
DESCRIPTION:	WIN Water Inline Ultrasonic Meter Dimensional Drawing 1-1/4" to 2-1/2" Meter Sizes
MATERIAL:	
UNITS:	INCHES
Cert. Controlled:	Yes
Cert. Type:	
<i>Certified Drawing/Document. No Modifications Permitted Without Consulting Certification Body</i>	
SCALE:	SHEET: 1 OF 1      SIZE: A

REV: <b>A</b>
Status:
DRAWN BY: MREIFF
DATE: 10/12/2021
MODELED BY:
DATE:

REV.	DATE	BY	DESCRIPTION	APPR. BY	DATE	ECN No.
REVISIONS						